

Sept. 14, 1948.

W. I. NISSEN

2,449,314

CIGAR LIGHTER

Filed May 15, 1946

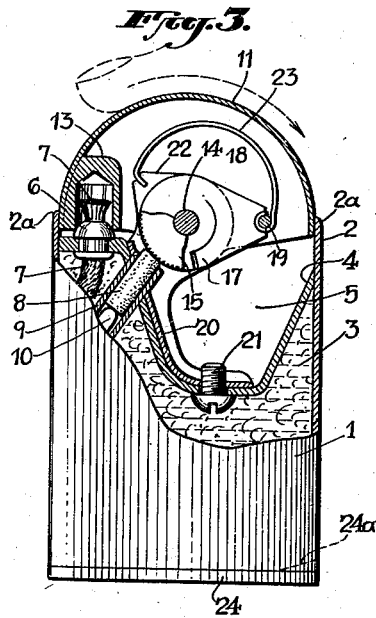
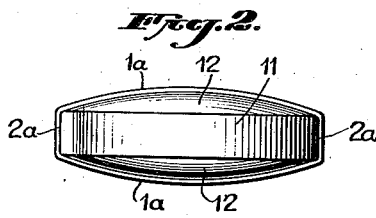
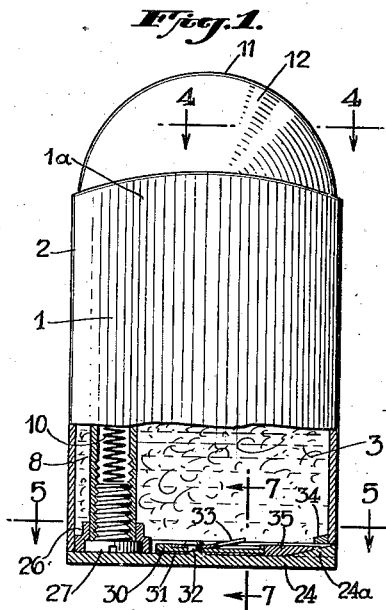


Fig. 9.

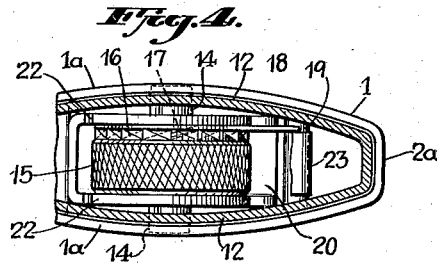
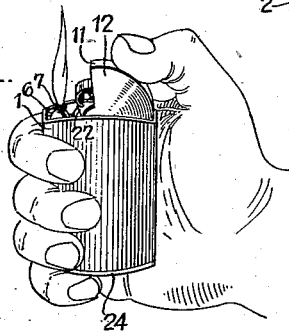


Fig. 5.

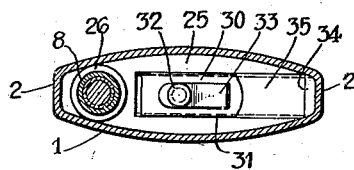


Fig. 6.

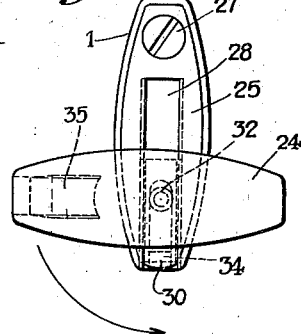


Fig. 7.

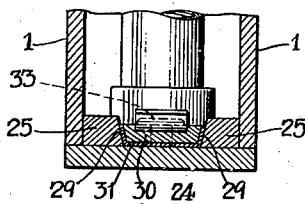
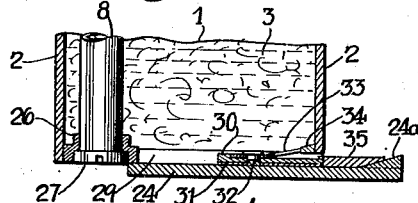


Fig. 8.



INVENTOR.  
Warren I. Nissen  
BY  
Ward Crosby & Neal  
ATTORNEYS.