

March 5, 1940.

R. NYDEN

2,192,364

POCKET LIGHTER

Filed July 6, 1939

Fig. 1.

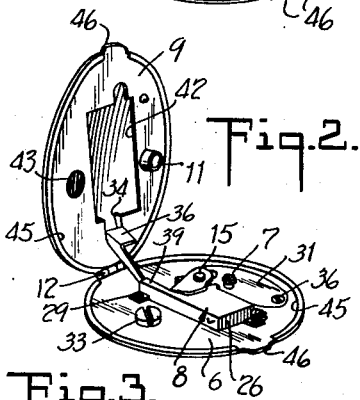
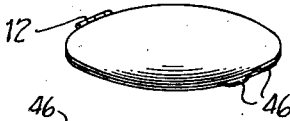


Fig. 2.

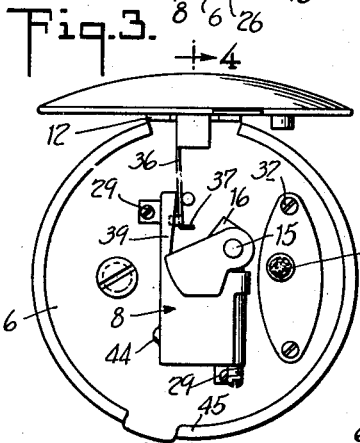


Fig. 3.

Fig. 5.

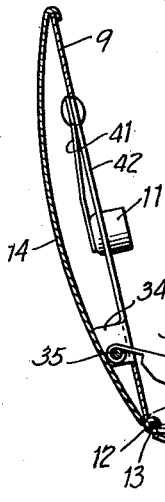
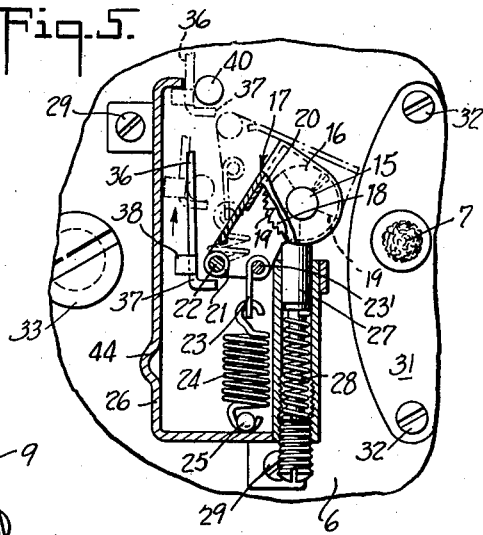


Fig. 4.

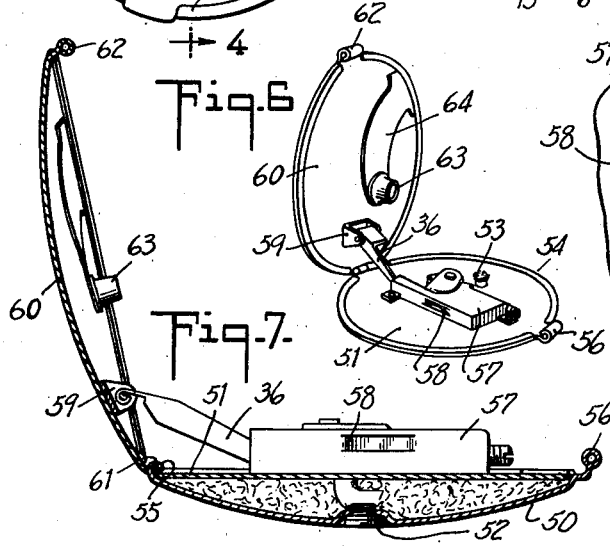


Fig. 6.

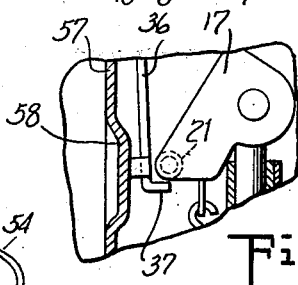


Fig. 7.

Fig. 8.

INVENTOR
ROBERT NYDEN
BY *John M. Cole*
ATTORNEY