

Sept. 22, 1936.

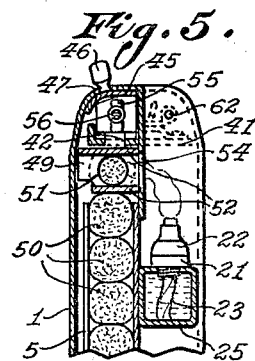
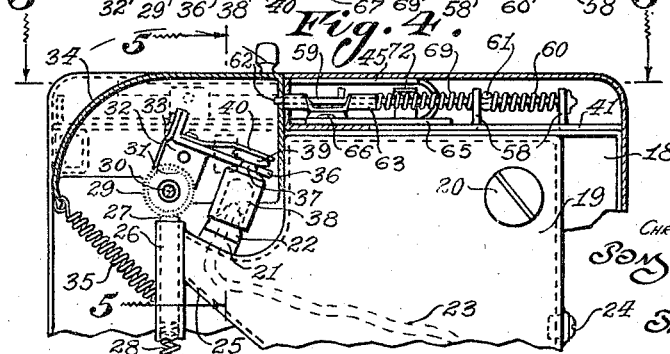
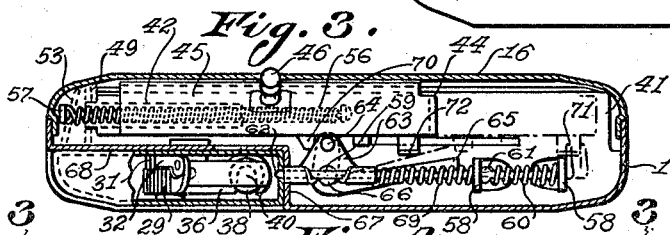
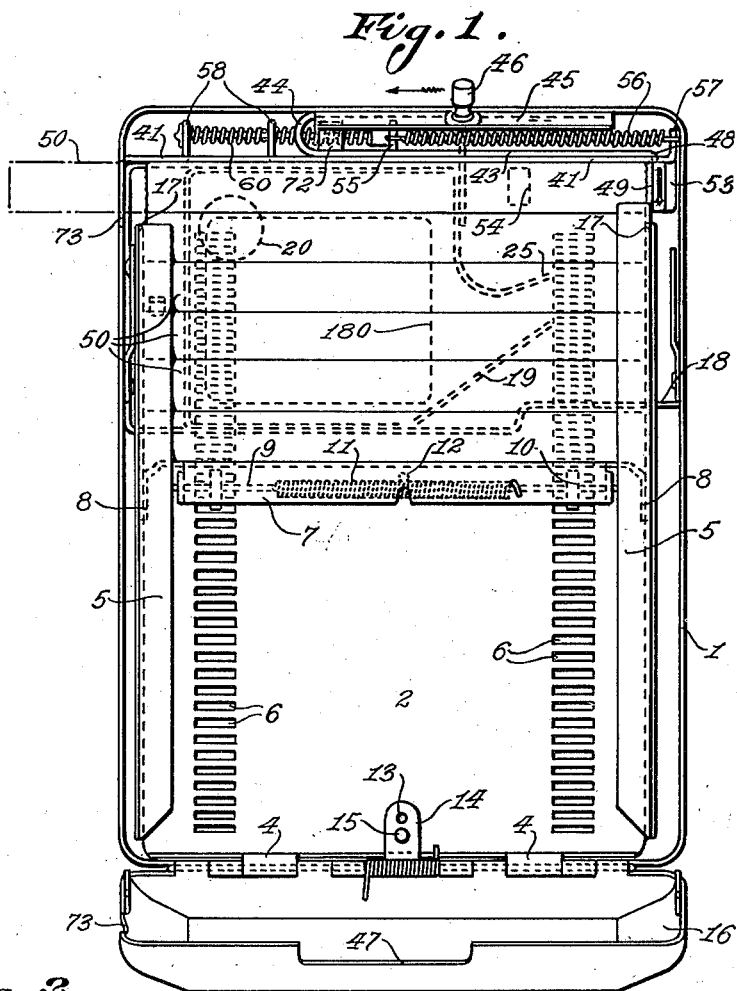
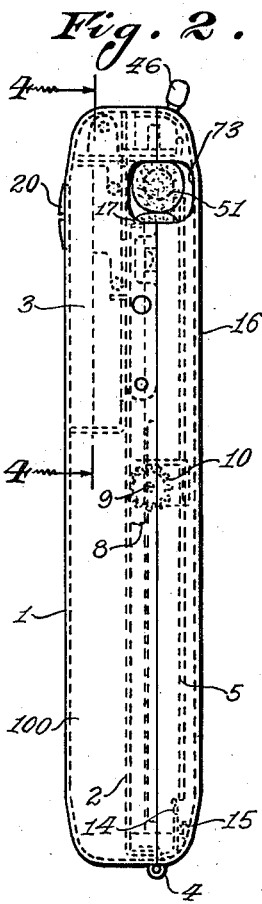
C. P. SHAW ET AL

2,055,052

CIGARETTE CASE

Filed Dec. 27, 1932

2 Sheets-Sheet 1



Inventors:

CHRISTIAN P. SHAW & ALBERT C. WALDVOGEL,

By John H. Bunnings,
Their Attorneys.

Sept. 22, 1936.

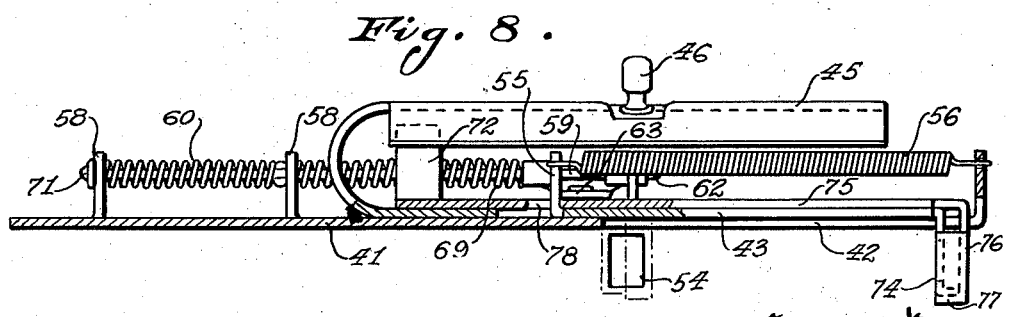
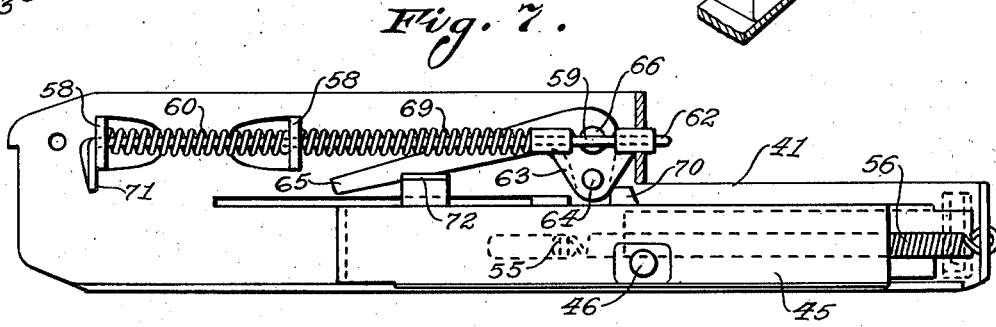
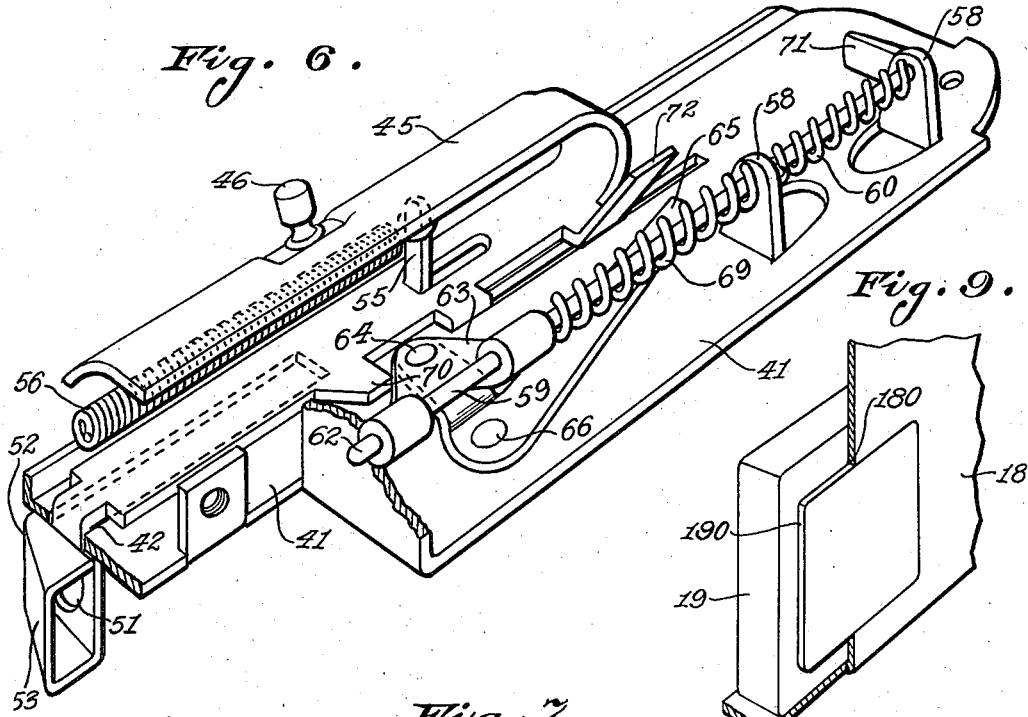
C. P. SHAW ET AL

2,055,052

CIGARETTE CASE

Filed Dec. 27, 1932

2 Sheets-Sheet 2



Inventors:
CHRISTIAN P. SHAW, ALBERT C. WALDOVCEL,
BY John H. Brunning
Their Attorney.