

April 14, 1931.

L. V. ARONSON

1,800,334

LIGHTER CONSTRUCTION

Filed July 12, 1929

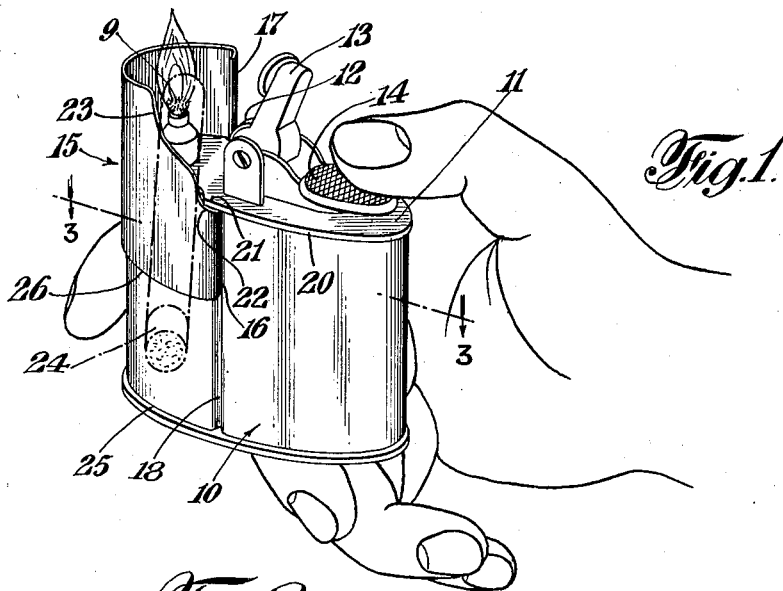


Fig. 2.

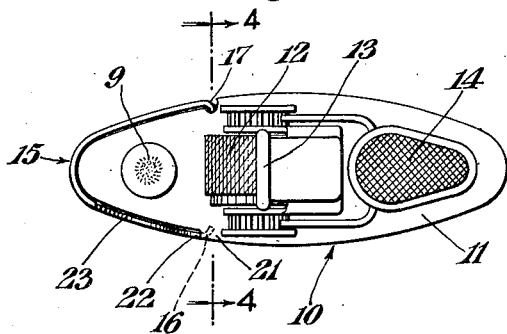
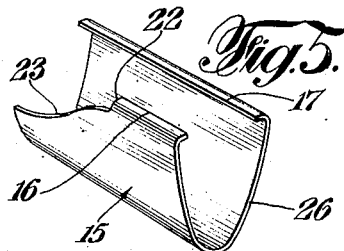
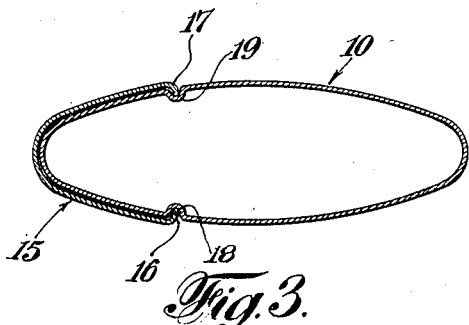
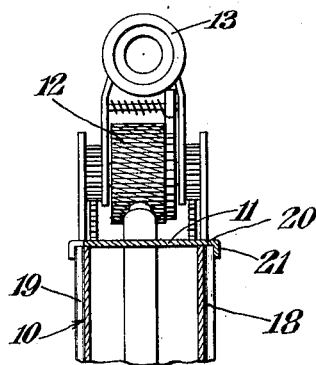


Fig. 4.



INVENTOR
Louis V. Aronson
BY
Ward, Crosby & Neal
ATTORNEYS