

May 28, 1935.

L. V. ARONSON

2,002,845

CIGAR LIGHTER

Filed June 3, 1927

Fig. 1.

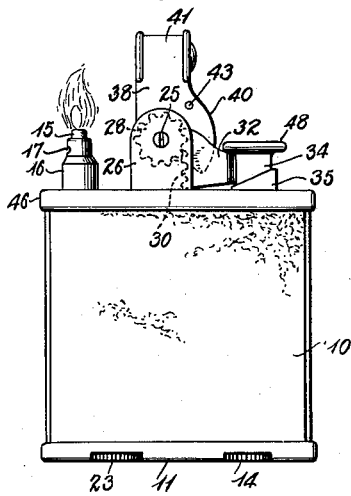


Fig. 2.

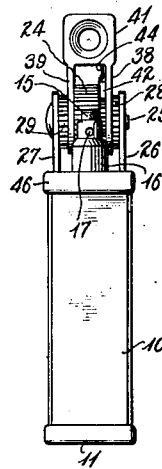


Fig. 3.

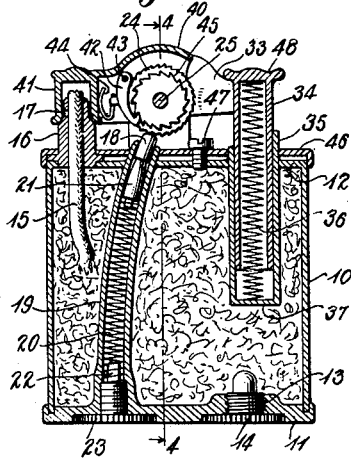


Fig. 4.

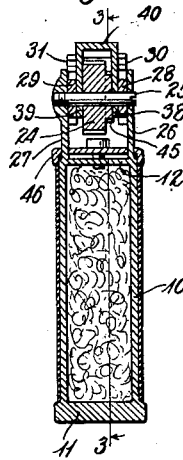
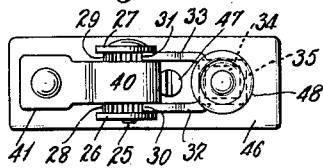


Fig. 5.



INVENTOR.

Louis V. Aronson

BY

Brown & Phelps

ATTORNEYS

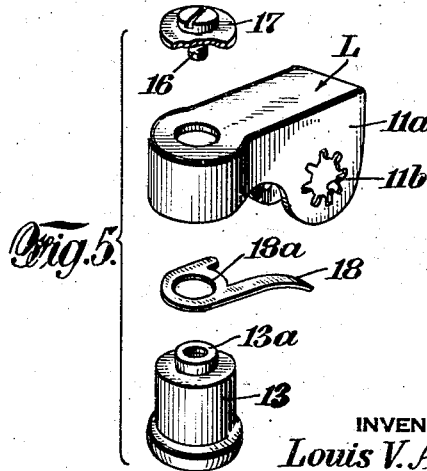
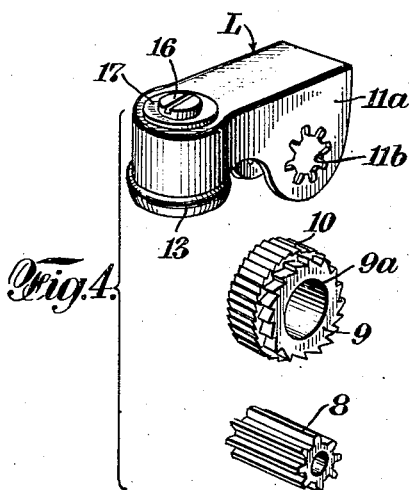
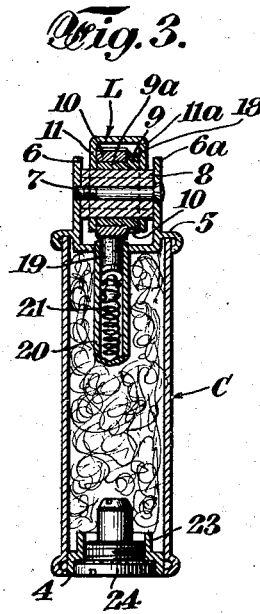
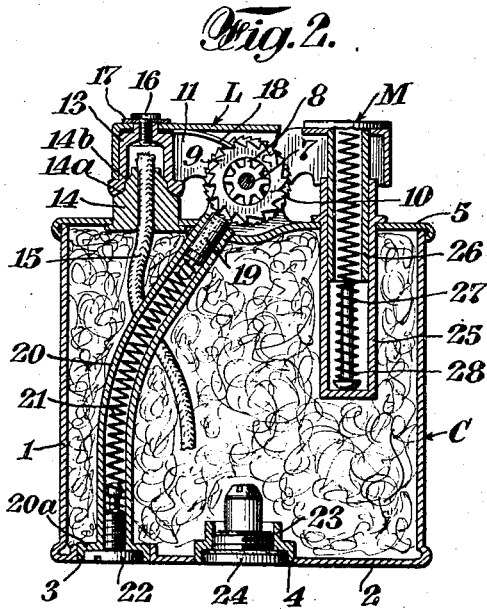
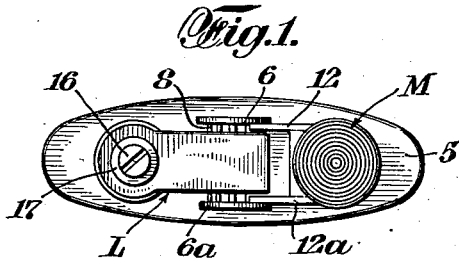
Aug. 25, 1936.

L. V. ARONSON

2,051,934

SPARK PRODUCING MECHANISM

Filed May 10, 1932



INVENTOR
Louis V. Aronson
BY
Ward, Crosby & Keel
ATTORNEYS