

[This Drawing is a reproduction of the Original on a reduced scale.]

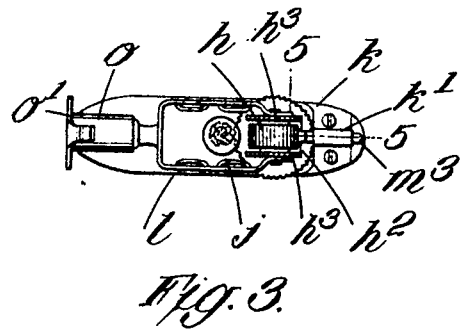
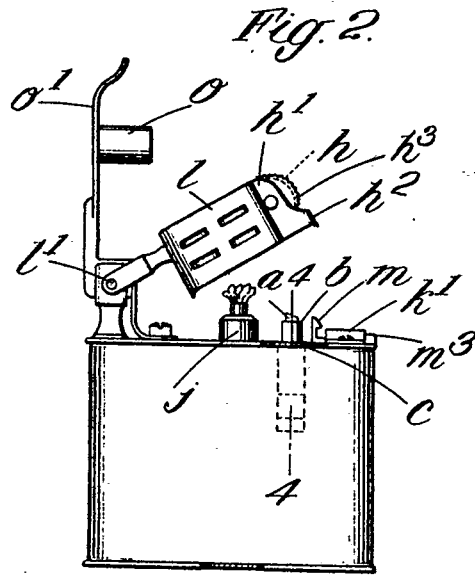
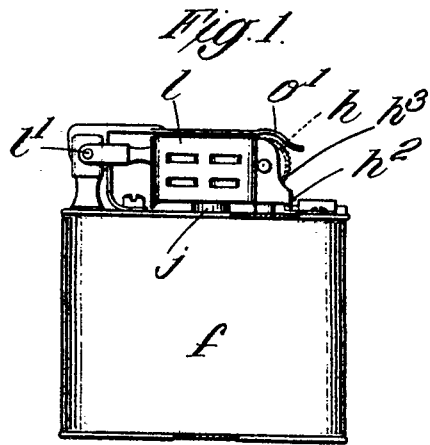


Fig. 4.

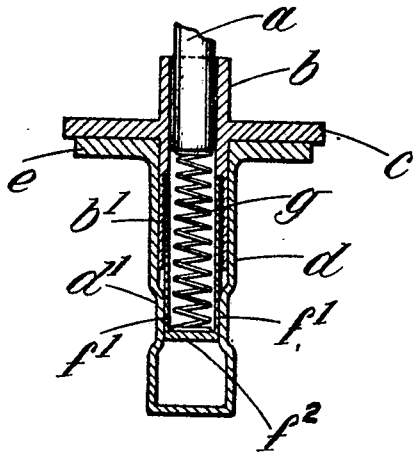


Fig. 5.

