

[This Drawing is a reproduction of the Original on a reduced scale.]

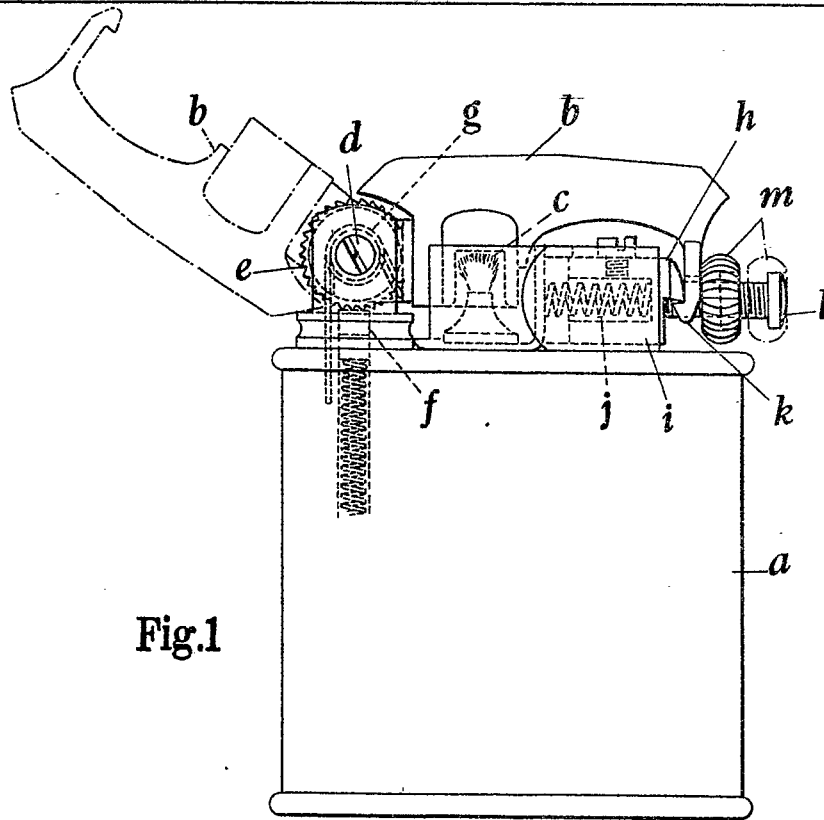


Fig.1

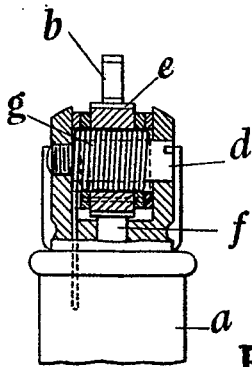


Fig.4

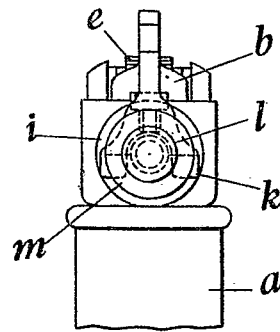


Fig.3

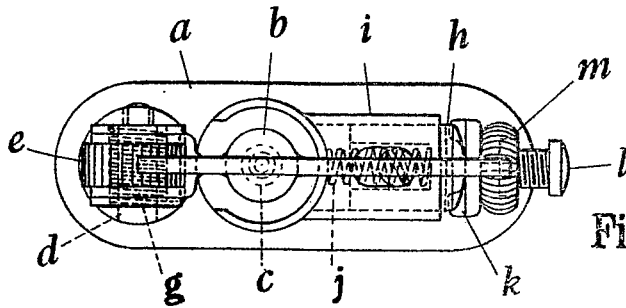


Fig.2