

*[This Drawing is a reproduction of the Original on a reduced scale.]*

Fig. 1

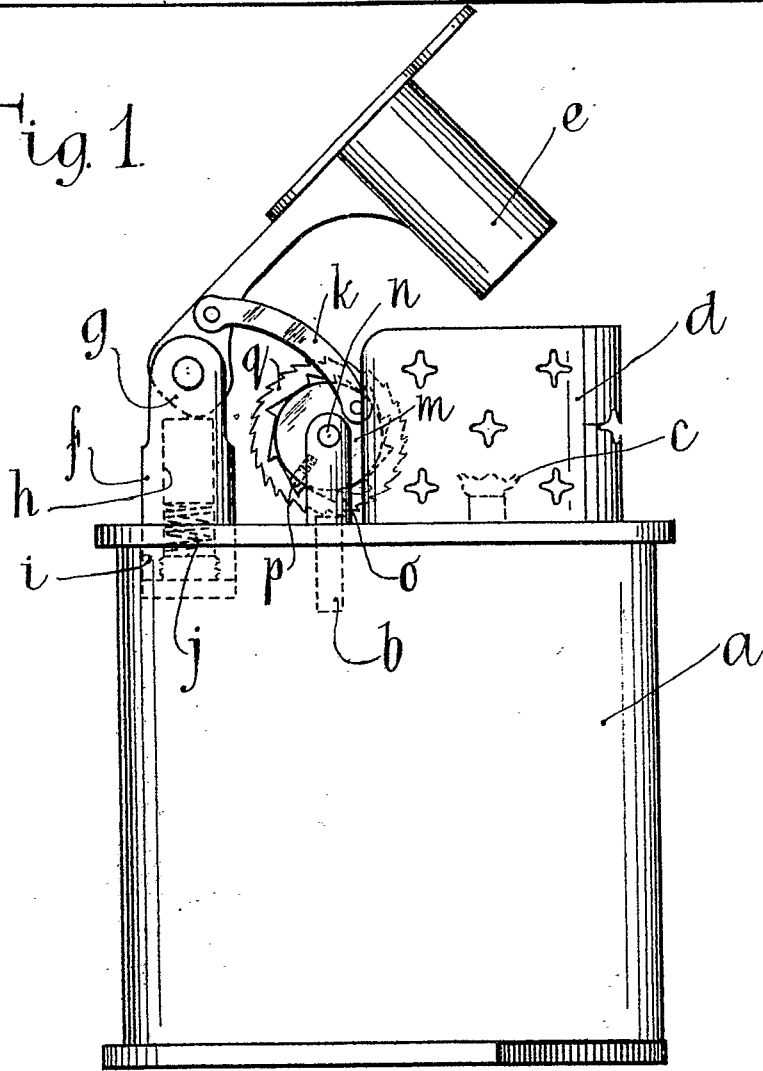
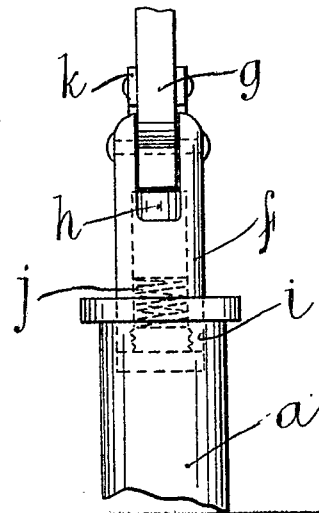


Fig. 2.



*[This Drawing is a full-size reproduction of the Original.]*

**Fig. 3.**

