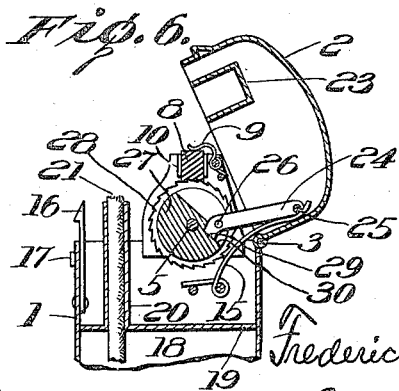
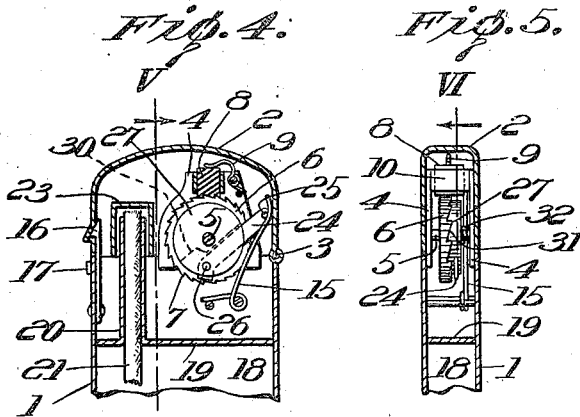
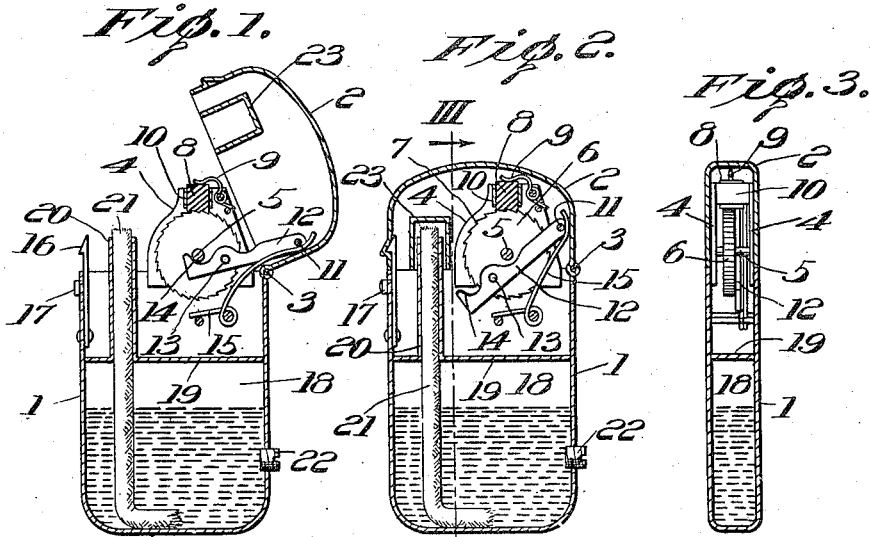


F. W. GOERDES.  
IGNITER.

APPLICATION FILED OCT. 19, 1910.

1,004,868.

Patented Oct. 3, 1911.



Witnesses:  
Edmund Quincy Moss  
Gerald E. Terwilliger

Frederick W. Goerdes Inventor  
By his Attorney Edward Davis