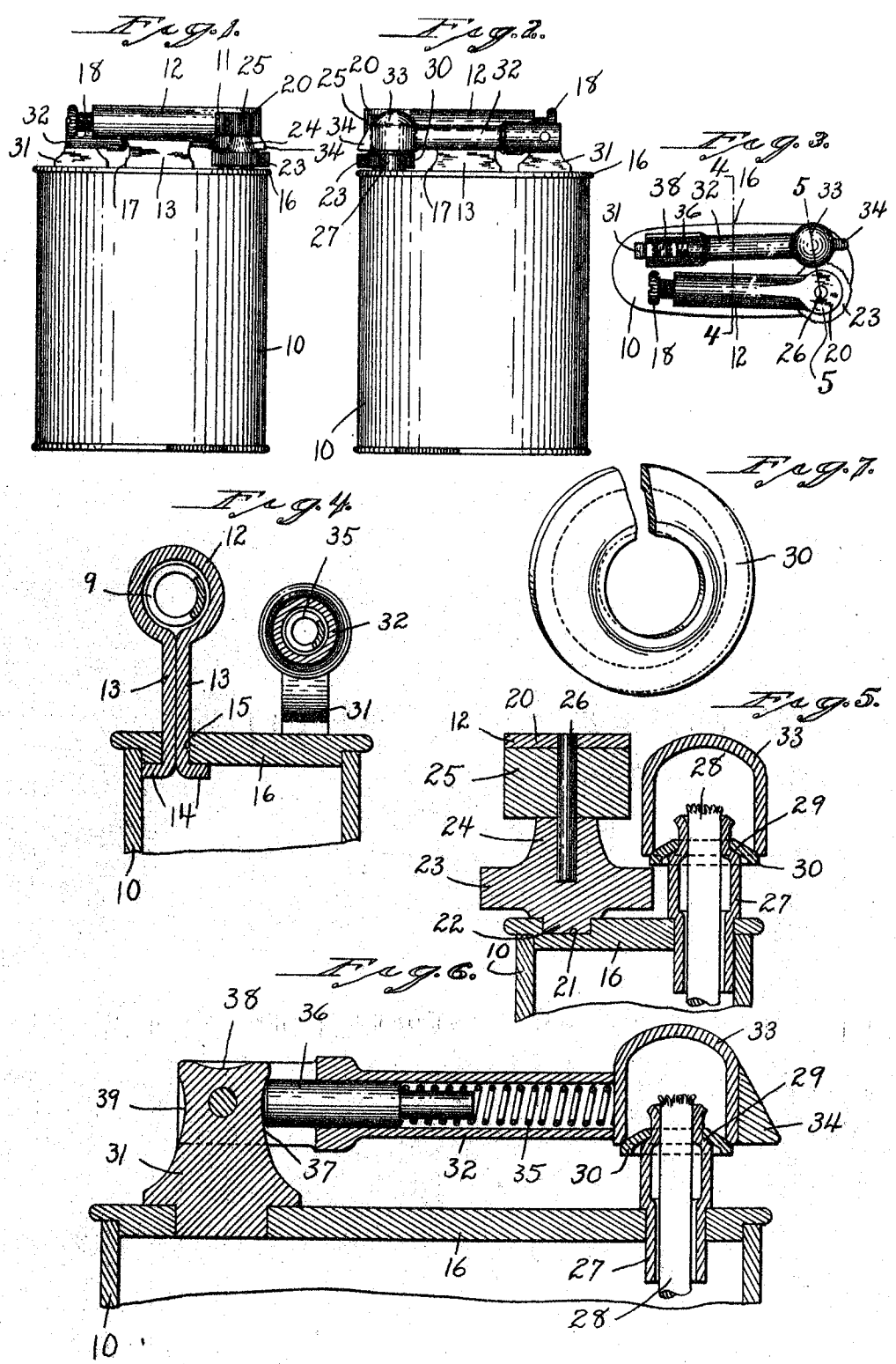


6X

201901



Certified to be the drawing referred to
 in the specification hereunto annexed.

New Haven, June 1, 1928

INVENTORS

Emil Arthur Schuelke
 Julius Ross
 Seymour Carl & Nichols

ATTORNEYS