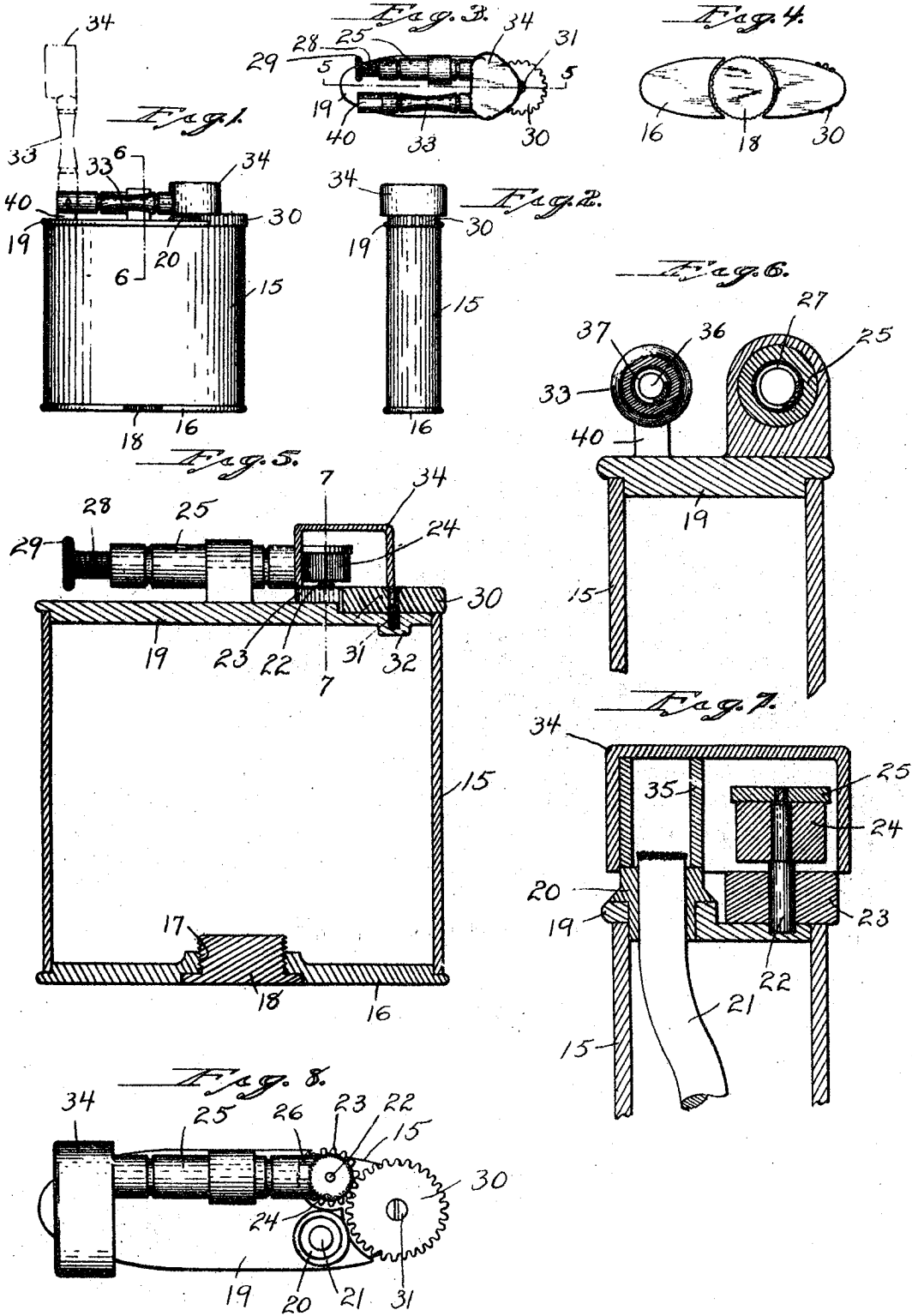


9

279831

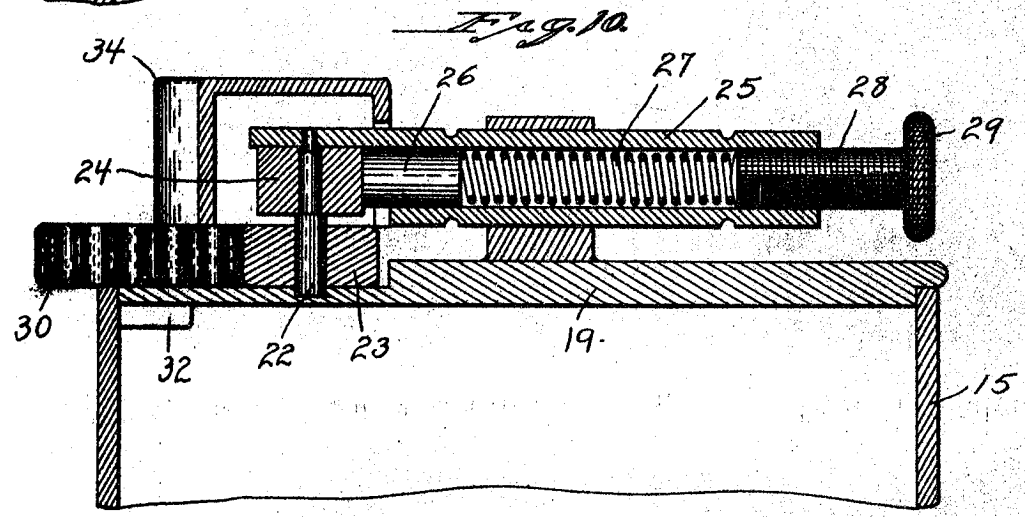
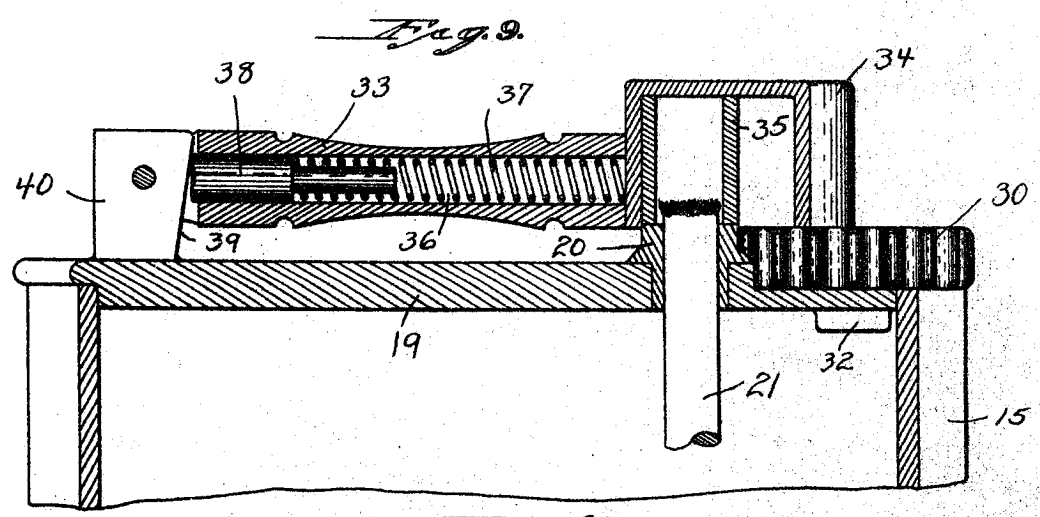


Certified to be the drawing referred
 to in the specification hereunto annexed.
 New Haven July 16, 1927

INVENTOR
 Emiel A. Schuelke
 by Seymour Ericc Michol
 ATTORNEYS

10 X

279831



Certified to be the drawing referred
to in the specification hereunto annexed.
New Haven July 16 1917

INVENTOR
Emil A. Schuelke
Seymour E. Cox & Nichols
ATTORNEYS