

(No Model.)

A. R. WEISZ & H. I. STOCKWELL.
LIGHTER.

No. 581,638.

Patented Apr. 27, 1897.

Fig. 1.

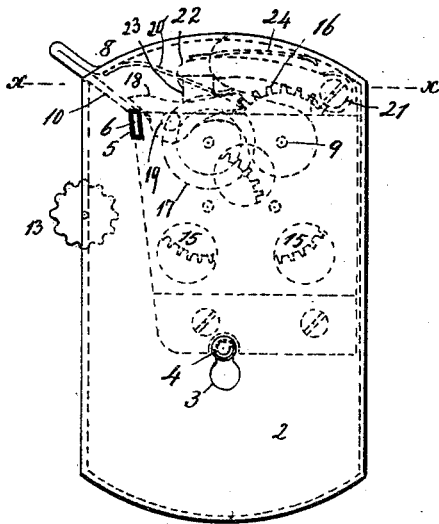


Fig. 4.

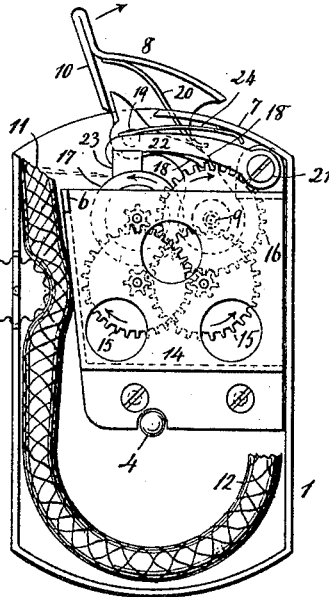


Fig. 2.

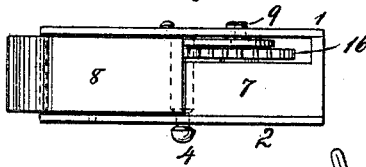


Fig. 3.

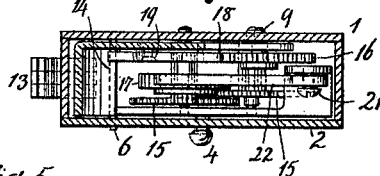


Fig. 5.

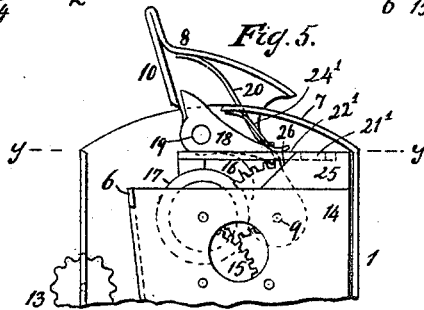
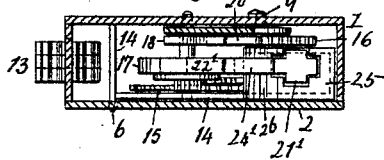


Fig. 6.



WITNESSES:

E. Wolff
Chas. E. Poesinger

INVENTORS:

Henry Irving Stockwell.
Albert Richard Weisz.
BY *Chas. Wolff*
ATTORNEYS.