

Jan. 22, 1929.

1,699,861

H. SHAPIRO

LIGHTER

Filed July 25, 1927

2 Sheets-Sheet 1

FIG. 1

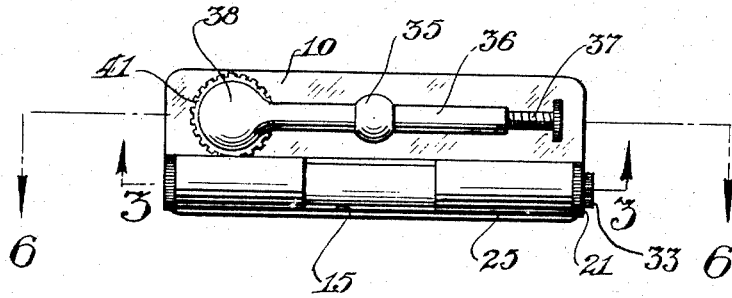


FIG. 2

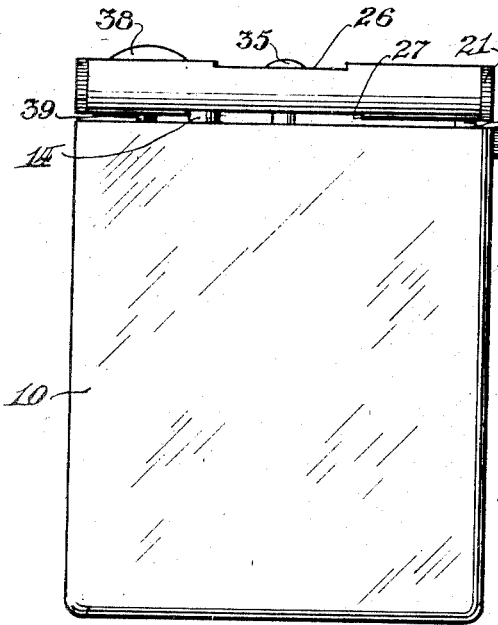
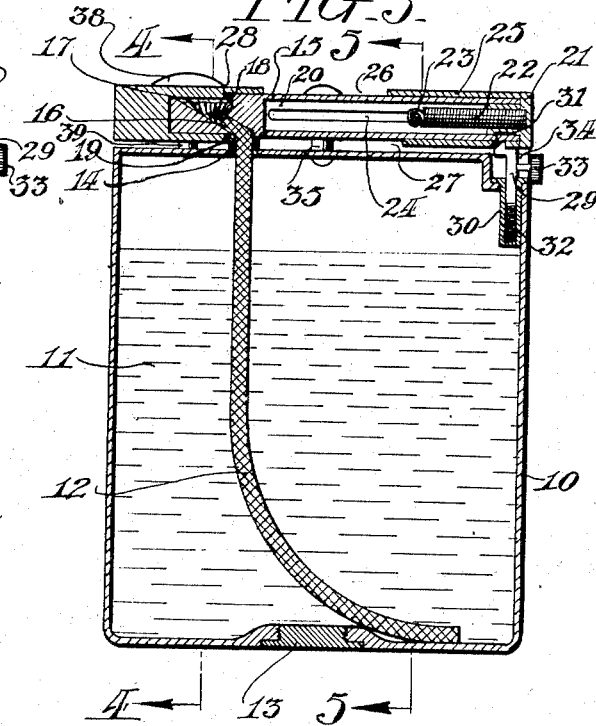


FIG. 3



WITNESSES:

Harry C. Bright

Wiley Merrill

INVENTOR:

Henry Shapiro,

BY
Joshua P. H. Toth
ATTORNEY.

Jan. 22, 1929.

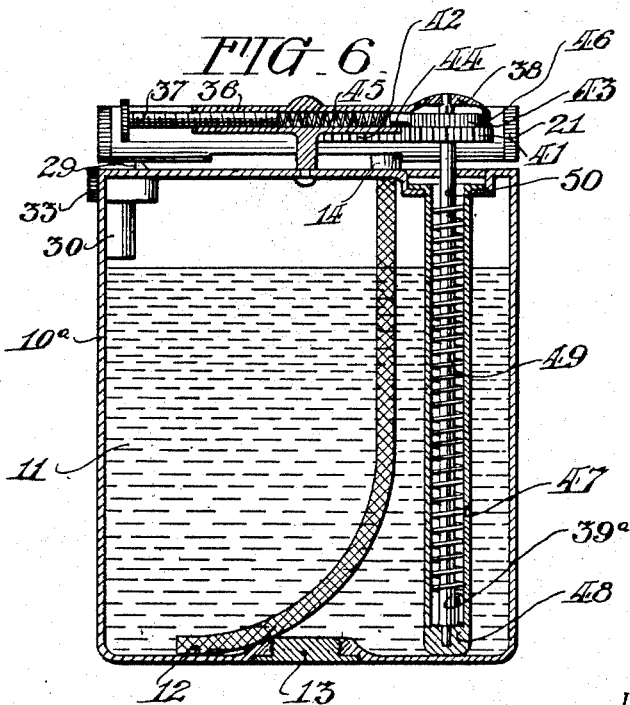
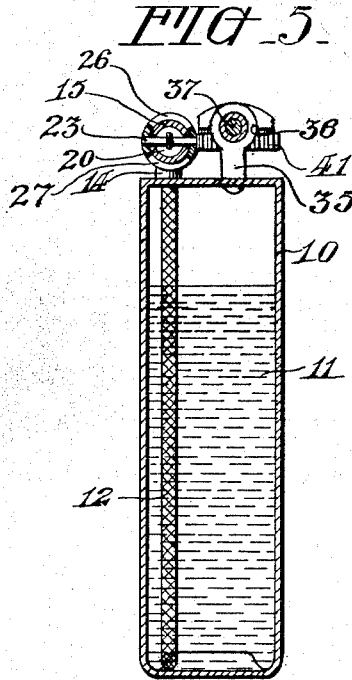
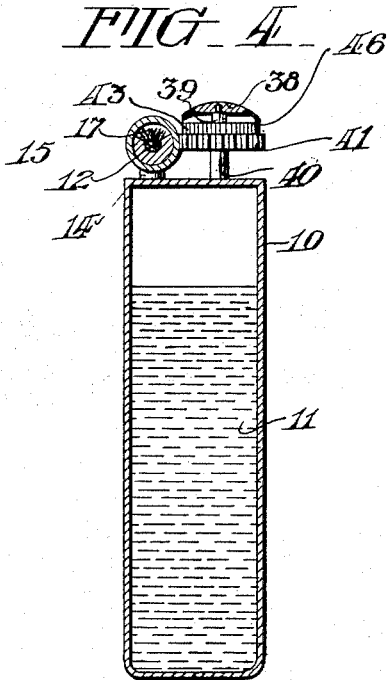
1,699,861

H. SHAPIRO

LIGHTER

Filed July 25, 1927

2 Sheets-Sheet 2



WITNESSES:

Harry C. Bright

Wesley Merrill

INVENTOR:

Henry Shapiro,

BY

Joshua R. H. Tottle
ATTORNEY