

May 10, 1932.

C. J. LAGERHOLM

1,857,200

CIGAR LIGHTER

Filed Dec. 13. 1928

Fig. 1.

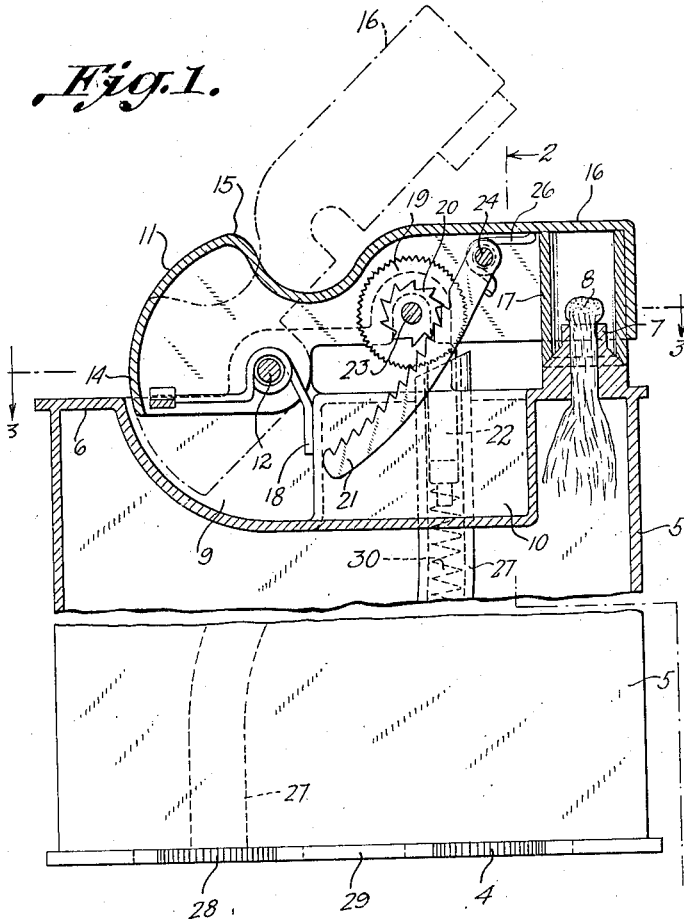


Fig. 2.

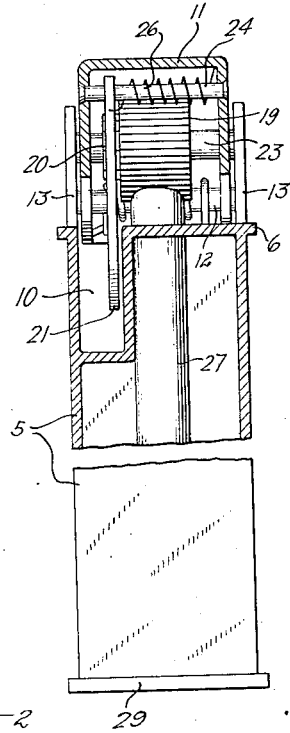
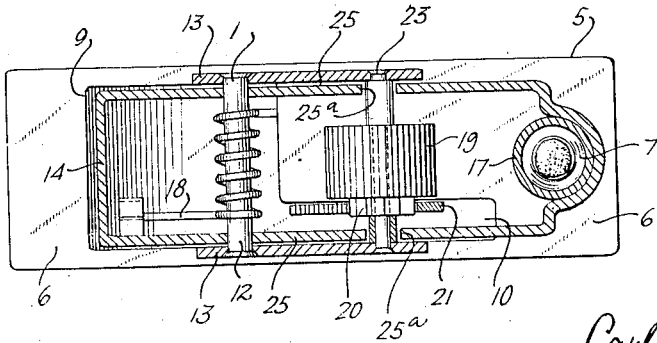


Fig. 3.



Carl Julius Lagerholm
INVENTOR
BY Robert S. Blair
ATTORNEY