

April 7, 1953

A. RACEK ET AL
PYROPHORIC LIGHTER
Filed Jan. 11, 1951

2,633,725

Fig. 1

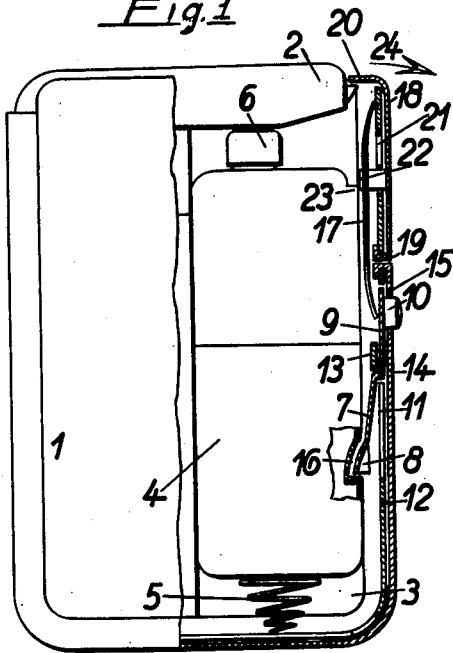


Fig. 2

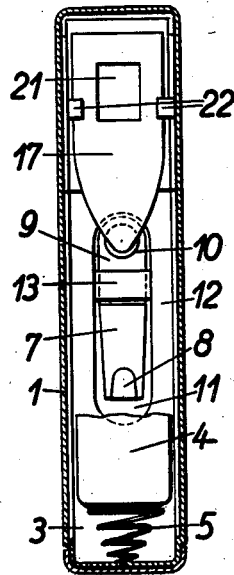


Fig. 3

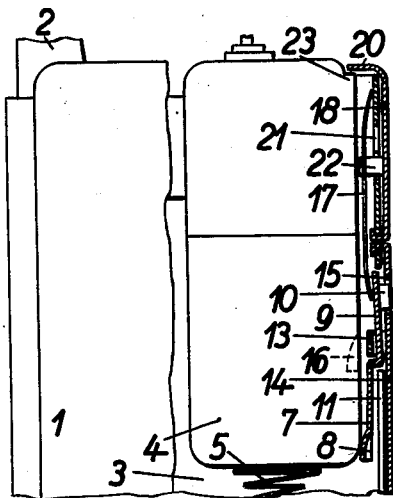
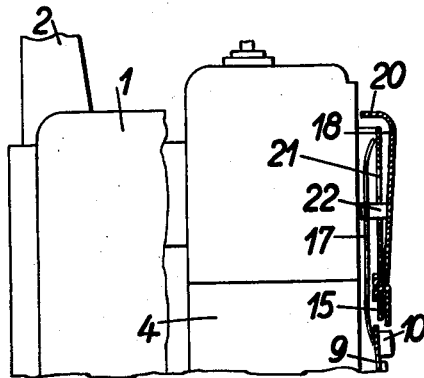


Fig. 4



INVENTORS
ALFRED RACEK &
JOHANN RAGANITSCH
BY *E. T. Freeman*
ATTORNEY