

Jan. 14, 1930.

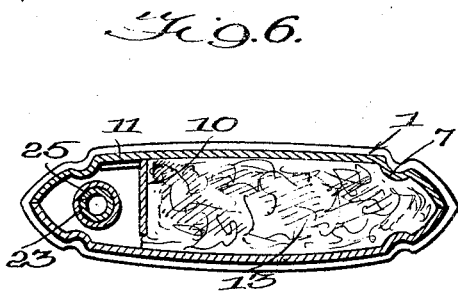
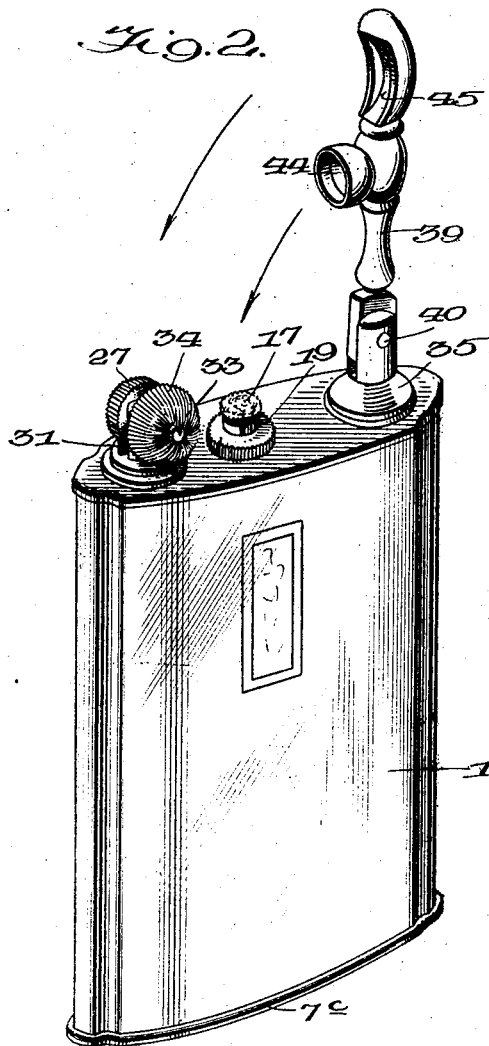
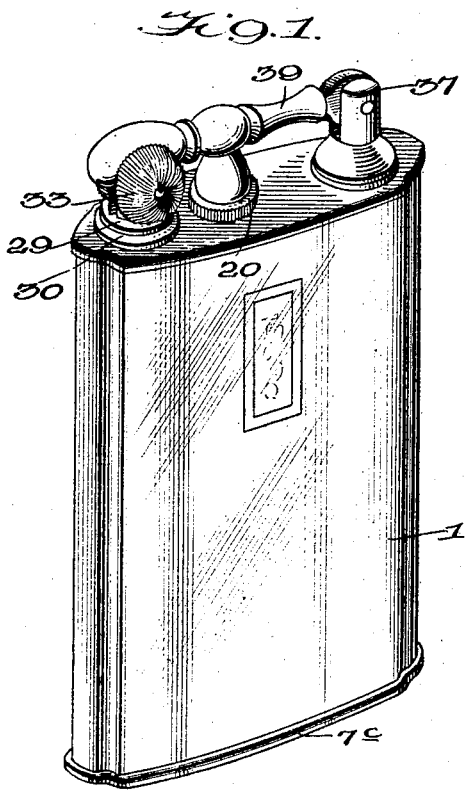
C. J. LAGERHOLM

1,743,610

POCKET LIGHTER

Filed March 9, 1927

2 Sheets-Sheet 1



Inventor
C. Julius Lagerholm,

By *Robt. E. Barry*

Attorney

Jan. 14, 1930.

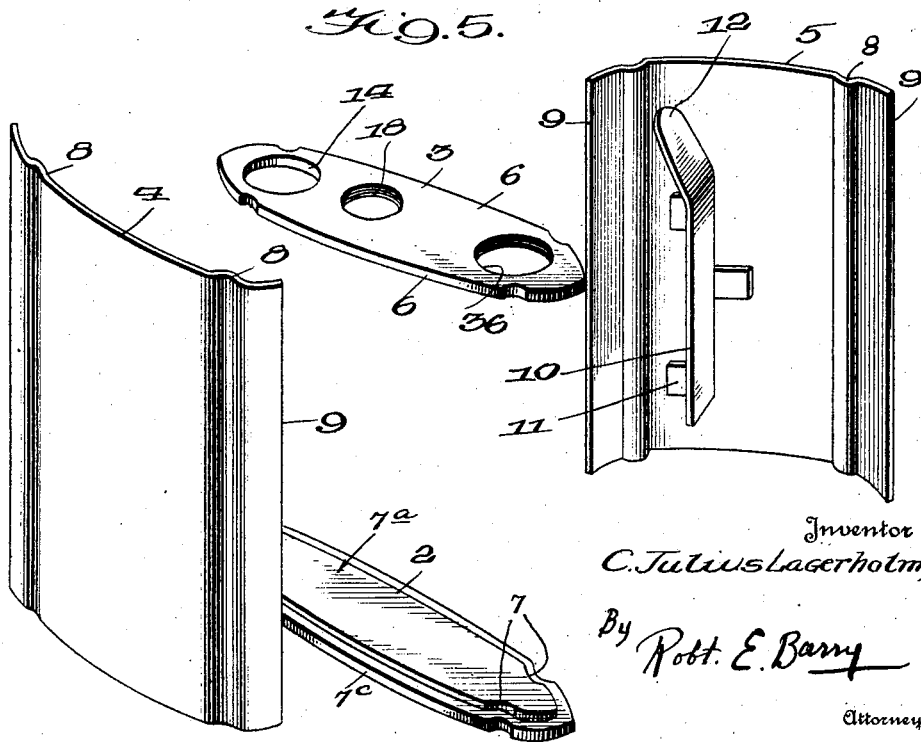
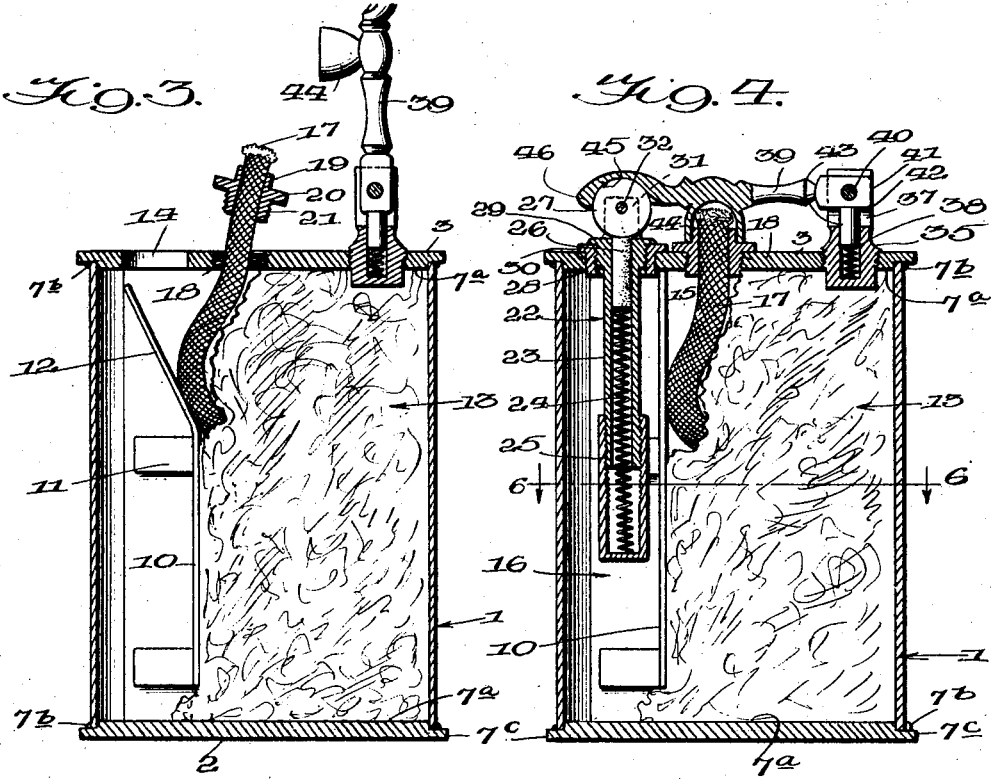
C. J. LAGERHOLM

1,743,610

POCKET LIGHTER

Filed March 9, 1927

2 Sheets-Sheet 2



Inventor
C. Julius Lagerholm,
By *Rott. E. Barry*
Attorney