

Sept. 10, 1935.

I. FLORMAN

2,014,320

CIGARETTE LIGHTER

Filed July 30, 1935

FIG. 1.

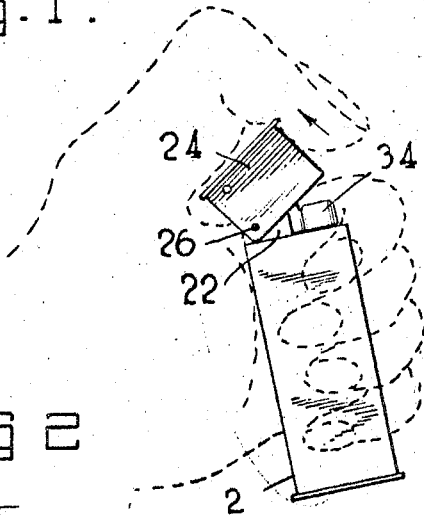


FIG. 3.

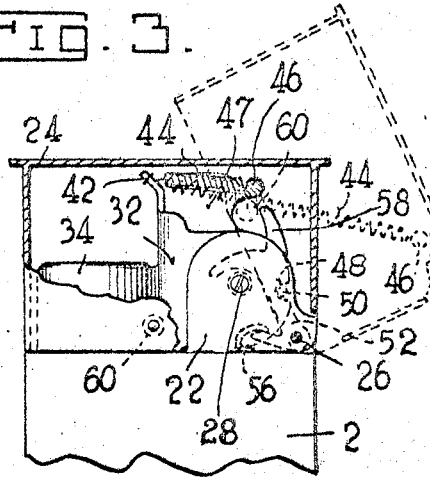


FIG. 2

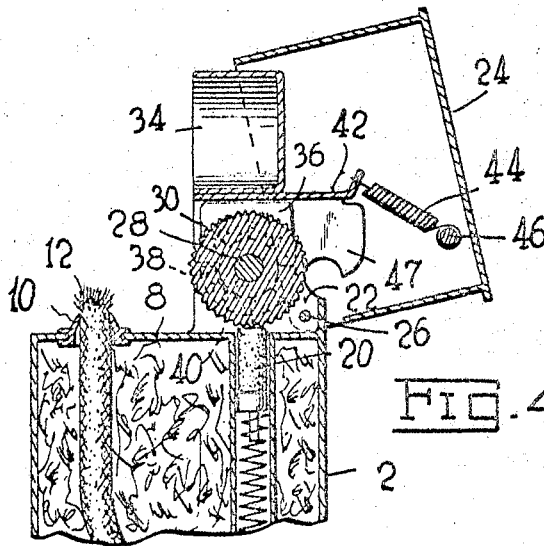
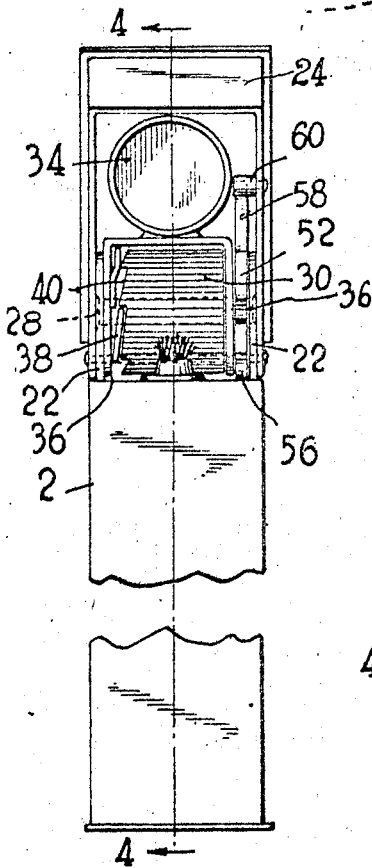
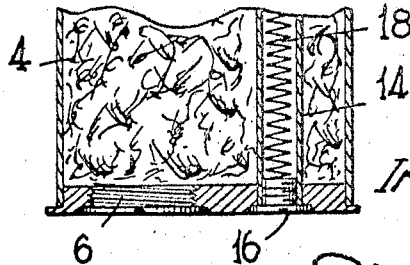


FIG. 4.



Inventor
Irving Florman.

By *Bailey & Haron*
Attorneys

334

