

Fig. 1.

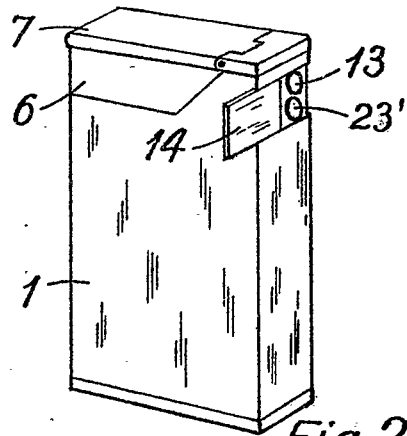


Fig. 2.

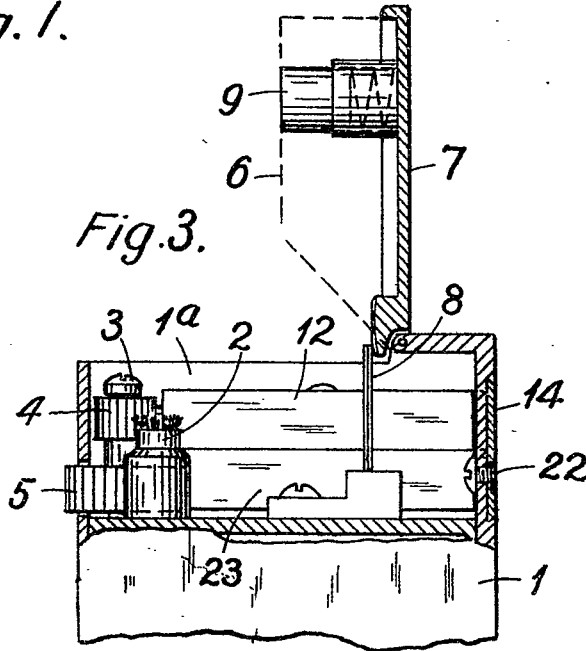


Fig. 3.

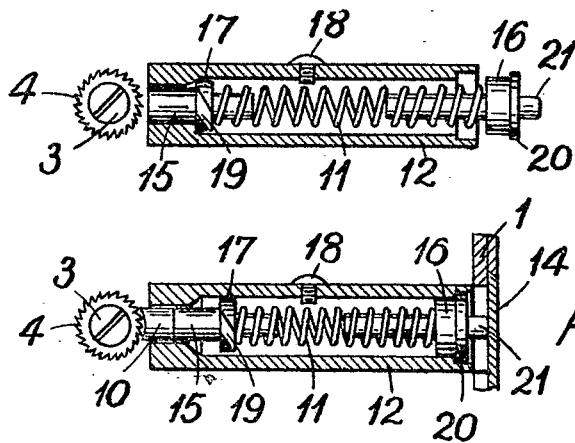


Fig. 4.

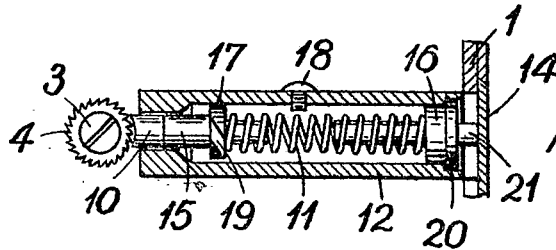


Fig. 5.

[This Drawing is a reproduction of the Original on a reduced scale.]