

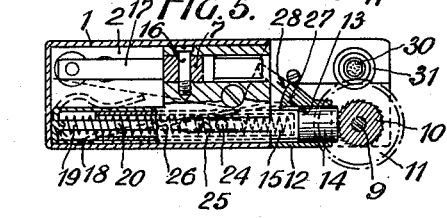
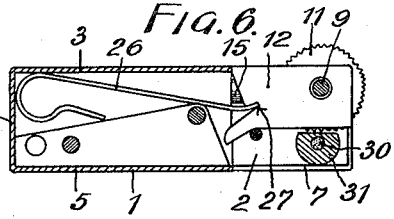
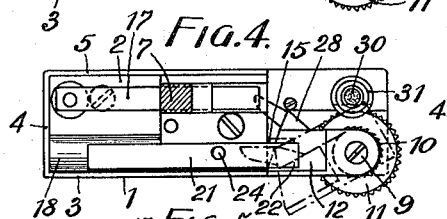
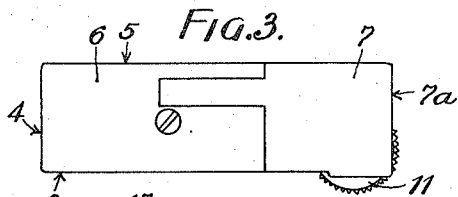
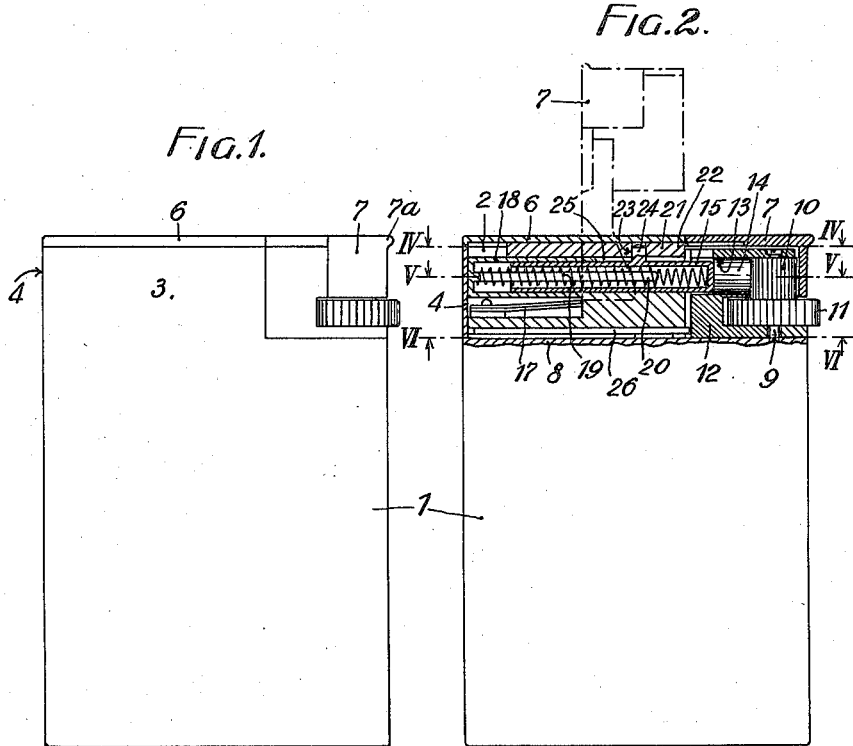
Dec. 14, 1937.

L. BOLLE

2,102,108

COMBUSTIBLE LIQUID LIGHTER

Filed July 22, 1936



Inventor:
Lern Bolle
By E. H. Alexander
Att'y

Jan. 24, 1928.

1,657,352

I. FLORMAN

PORTABLE LIGHTER AND METHOD OF MAKING THE SAME

Filed May 21, 1927

Fig. 1.

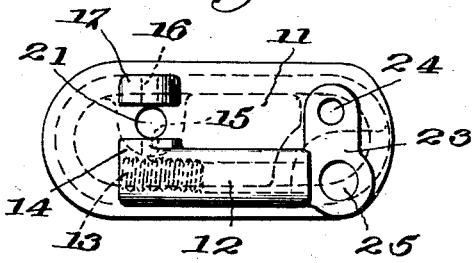


Fig. 5.

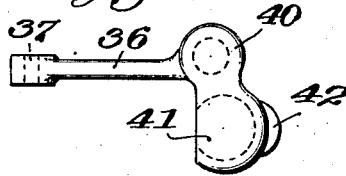


Fig. 6.



Fig. 2.

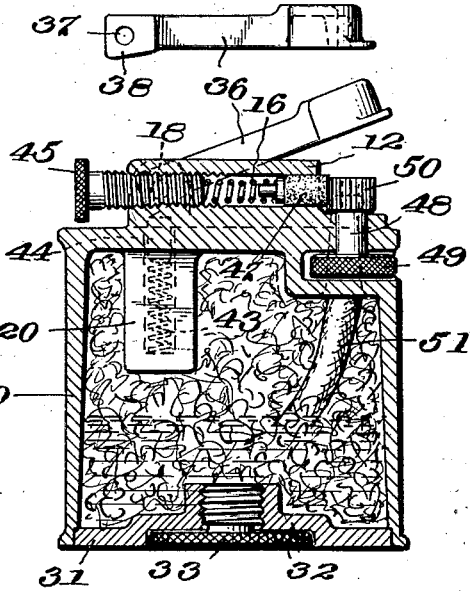
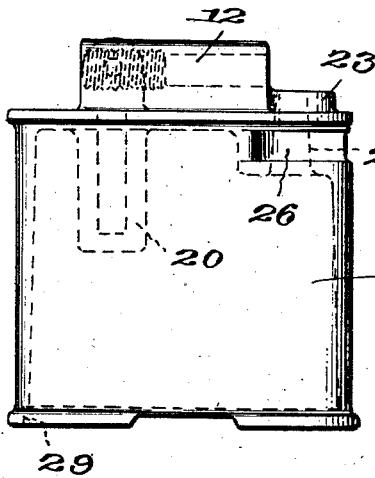


Fig. 7.

Fig. 3.

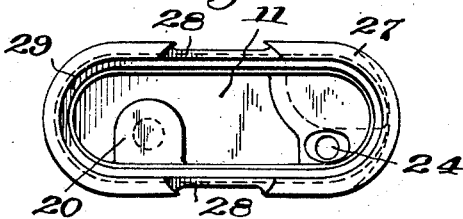
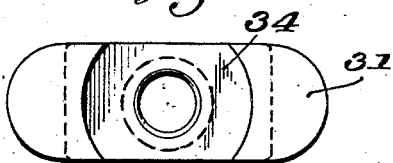


Fig. 4.



Inventor
IRVING FLORMAN,

By *Conway T. Coe*
Attorney

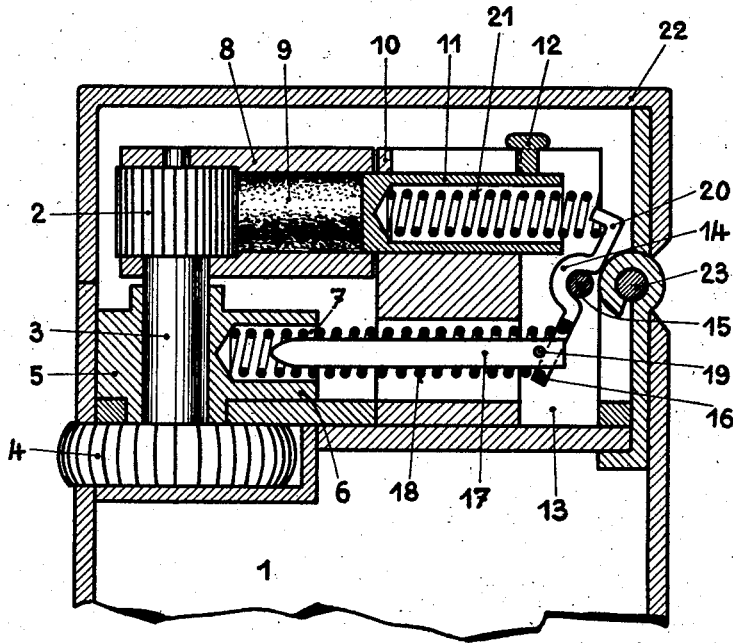
Oct. 7, 1941.

L. BOLLE

2,258,085

PRESSURE DEVICE FOR THE FLINTS OF LIGHTERS

Filed June 14, 1939



INVENTOR
LEON BOLLE
By *William H. Groff* Att'y

March 11, 1941.

L. BOLLE

2,234,298

WICK CAP SECURING DEVICE FOR PYROPHORIC LIGHTERS

Filed June 26, 1939

Fig. 1

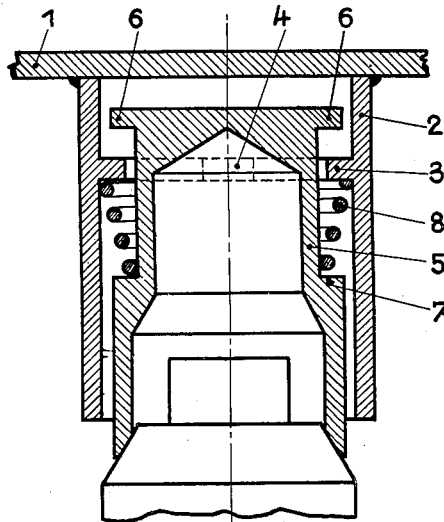


Fig. 2

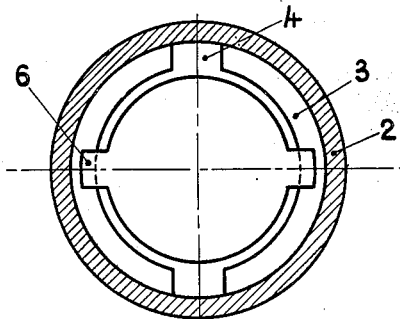
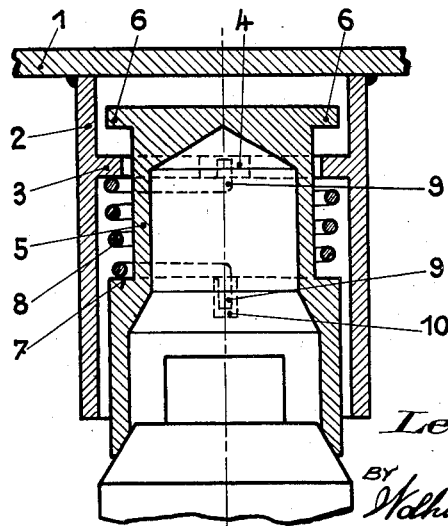


Fig. 3



INVENTOR

Leon Bolle,

BY *Walhaupter & Groff,*
ATTORNEYS.

May 26, 1942.

L. BOLLE

2,283,909

PYROPHORIC LIGHTER

Filed April 1, 1940

Fig. 1

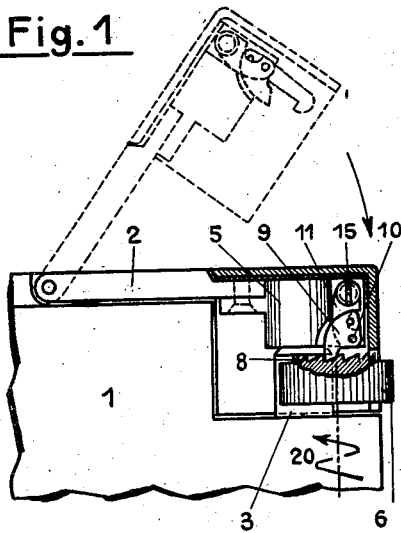


Fig. 2

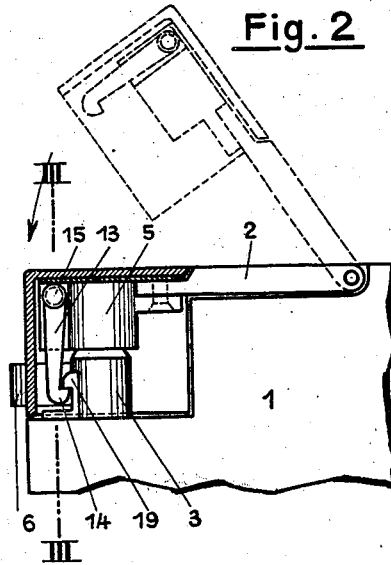


Fig. 4

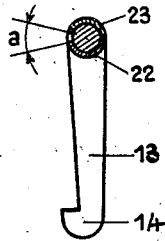


Fig. 3

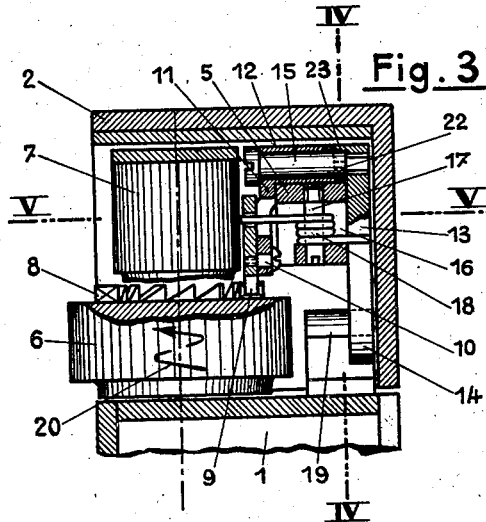


Fig. 6

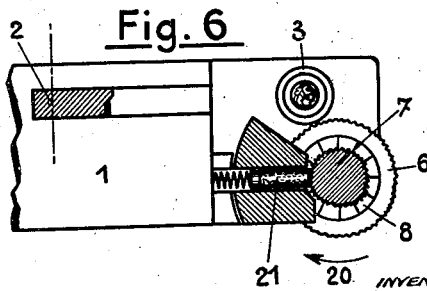
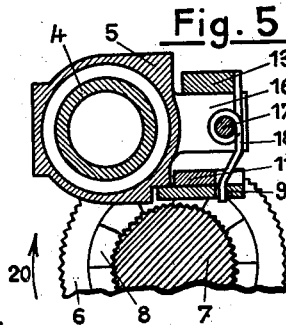


Fig. 5



INVENTOR
Leon Bolle,
BY *Wolhaupter & Groff,*
ATTORNEYS