

Oct. 12, 1926.

1,602,607

L. F. DOUGLASS

FLINT LIGHTER

Filed Nov. 5, 1925

Fig. 1.

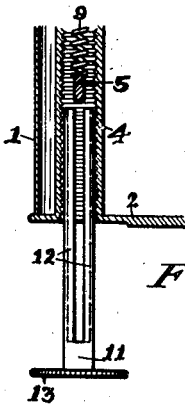
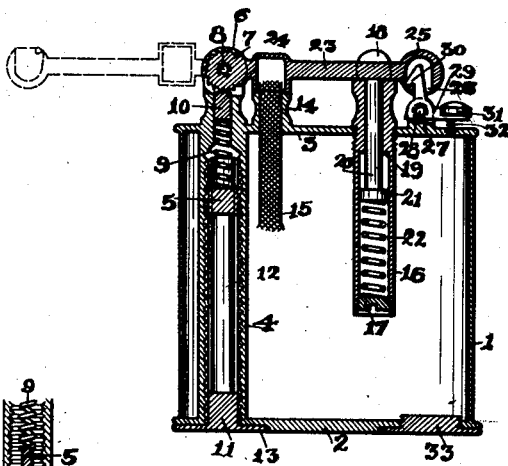


Fig. 2.

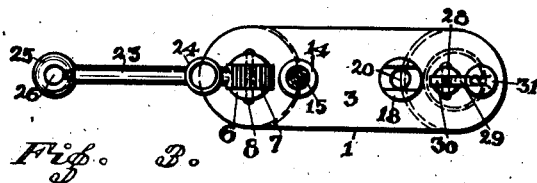


Fig. 3.

INVENTOR
Lion F. Douglass
BY
J. E. Fralisco
ATTORNEY