

April 3, 1945.

A. KOLBERG ET AL

Des. 140,735

LIGHTER

Filed Dec. 28, 1944

FIG. 1.



FIG. 2.

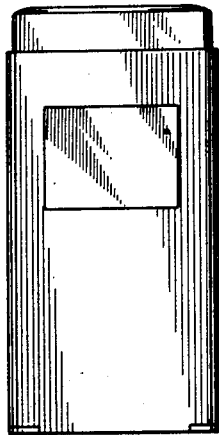
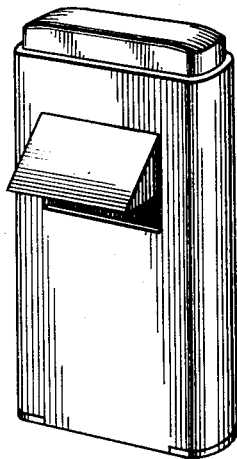


FIG. 3.



FIG. 4.



INVENTOR  
*Abner Kolberg*  
BY *Julius Kohn*  
*William Kohn*  
ATTORNEY

44-210

Sept. 9, 1947.

A. KOLBERG ET AL

2,427,058

LIGHTER

Filed Dec. 28, 1944

2 Sheets-Sheet 1

FIG. 1.

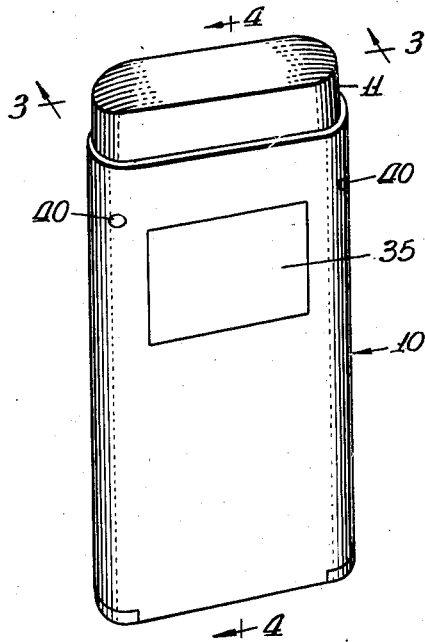
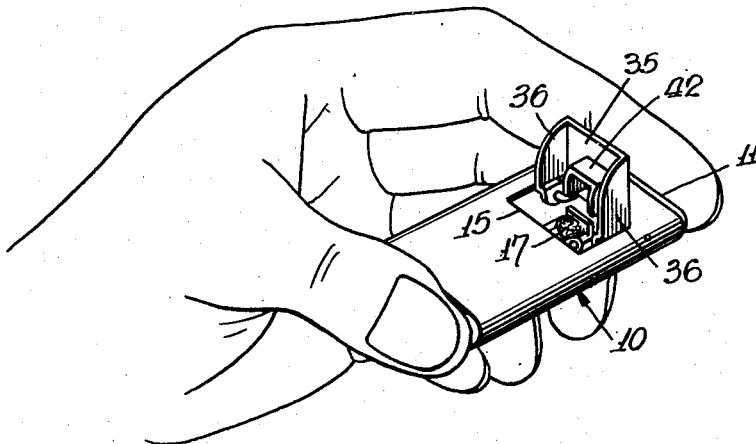


FIG. 2.



INVENTOR  
*Abner Kolberg*  
BY *Julius Kohn*  
*Wilbur B. Black*  
ATTORNEY

Sept. 9, 1947.

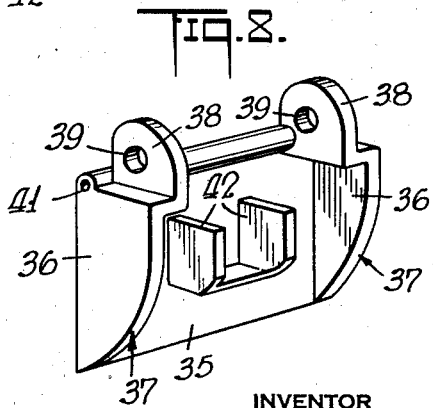
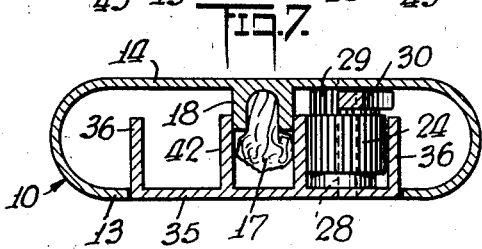
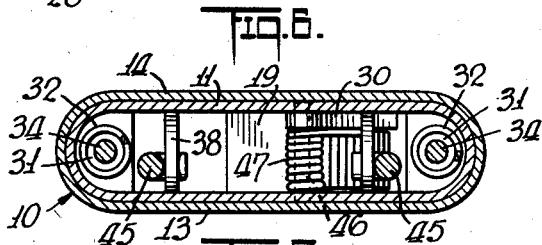
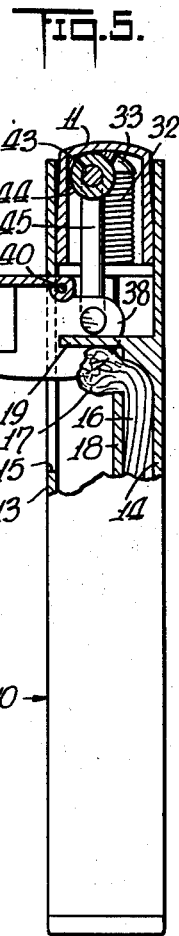
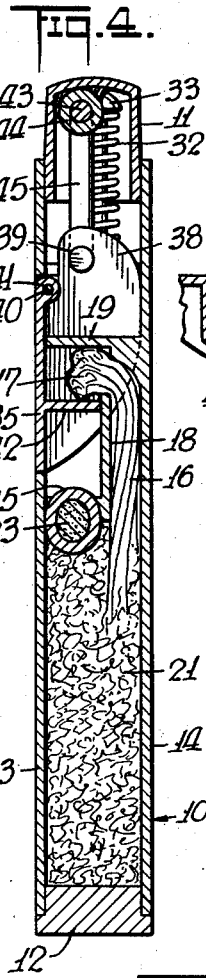
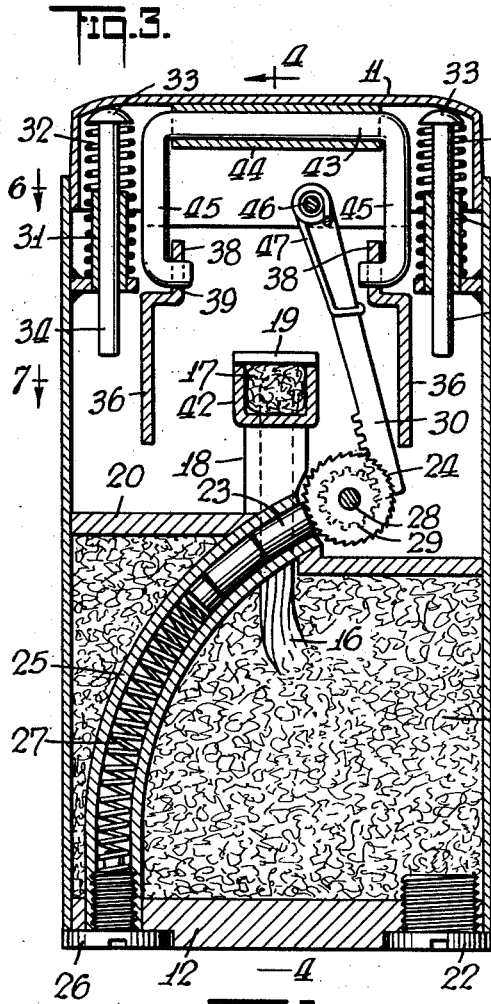
A. KOLBERG ET AL

2,427,058

LIGHTER

Filed Dec. 28, 1944

2 Sheets-Sheet 2



INVENTOR  
Abner Kolberg  
Julius Kohn  
BY *William J. Shue*  
ATTORNEY