

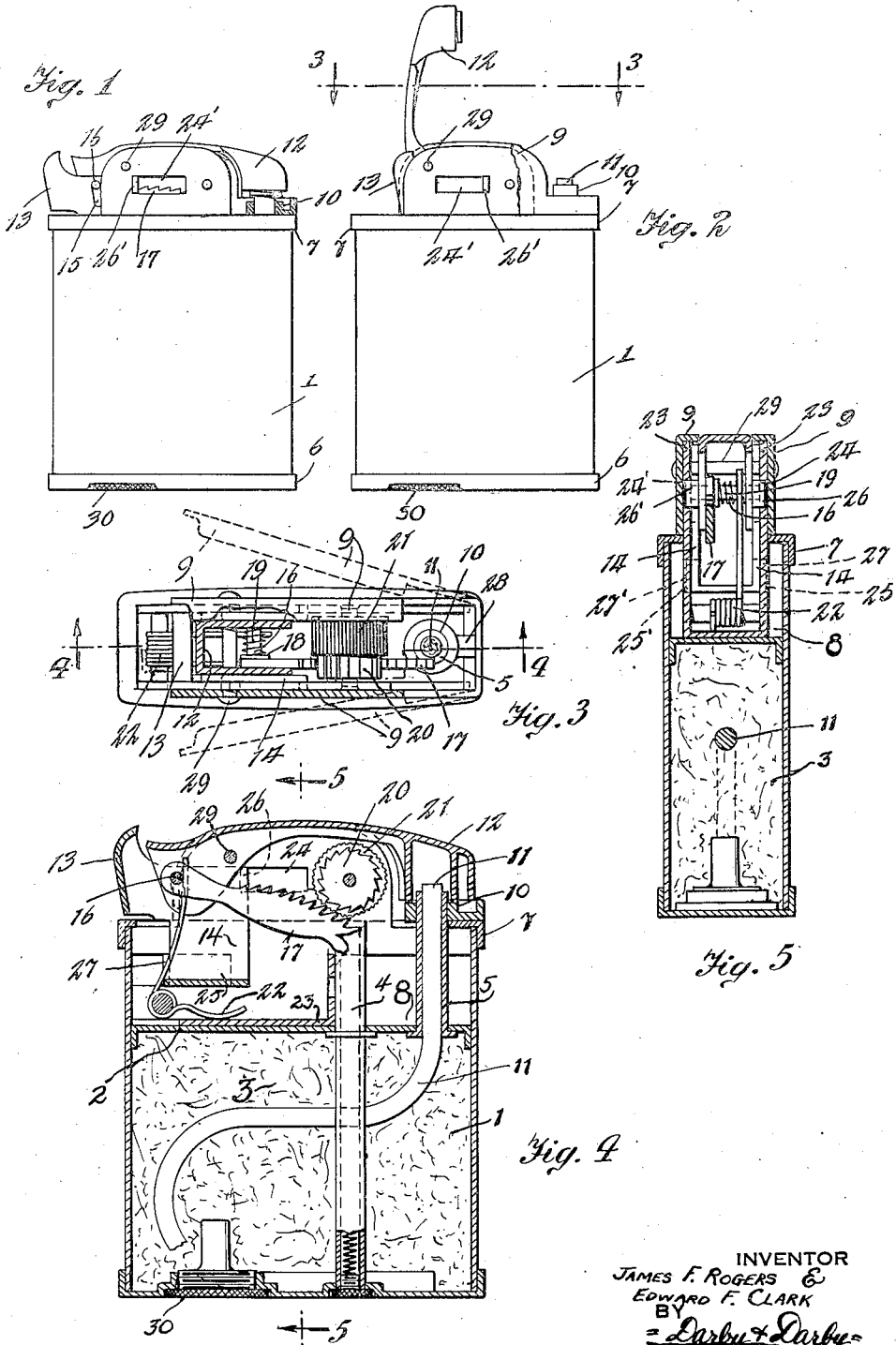
Aug. 16, 1932.

J. F. ROGERS ET AL

1,872,345

CIGAR LIGHTER

Filed Sept. 28, 1929



INVENTOR
JAMES F. ROGERS &
EDWARD F. CLARK
BY
Darby & Darby
THEIR ATTORNEYS