

Aug. 16, 1932.

J. F. ROGERS

1,872,346

CIGAR LIGHTER

Filed Oct. 31, 1930

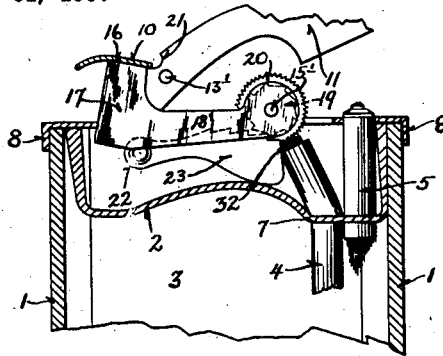
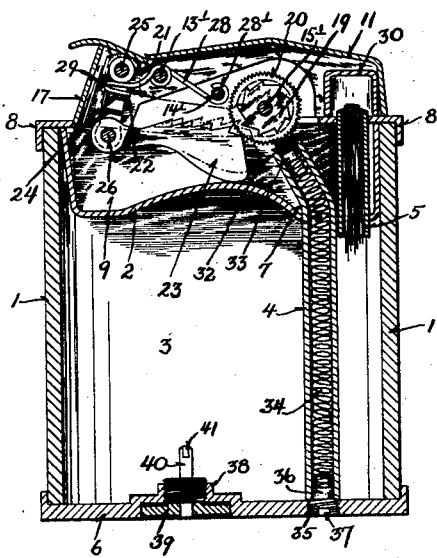


FIG. 3.

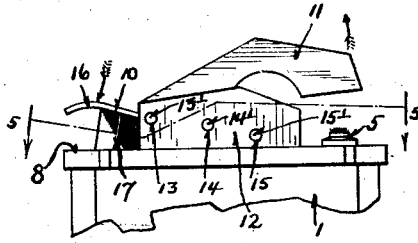


FIG. 1.

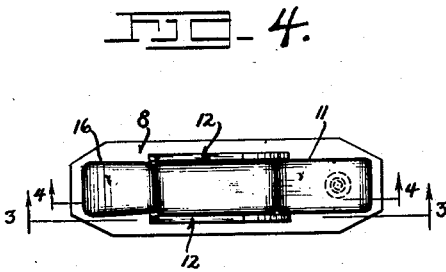


FIG. 4.

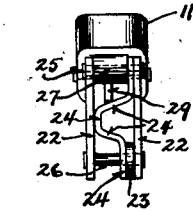


FIG. 6.

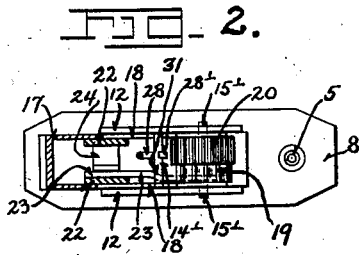


FIG. 2.

FIG. 5.



FIG. 8.

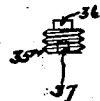


FIG. 9.

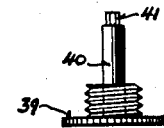


FIG. 7.

INVENTOR
 JAMES F. ROGERS
 BY *Darby & Darby*
 HIS ATTORNEYS.