

Aug. 16, 1932.

E. F. CLARK ET AL

1,872,244

PYROPHORIC POCKET LIGHTER

Filed Jan. 3, 1930

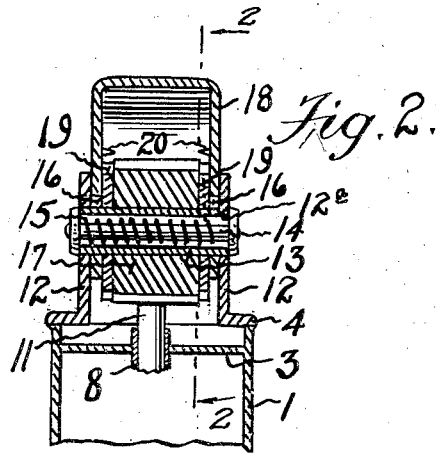
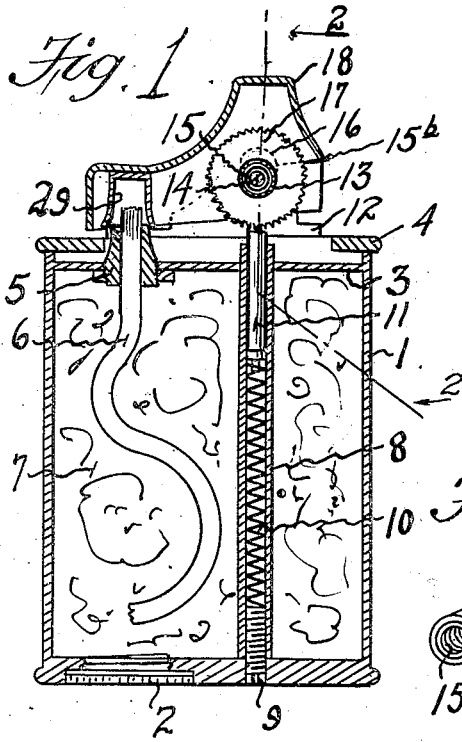


Fig. 6. 15^b

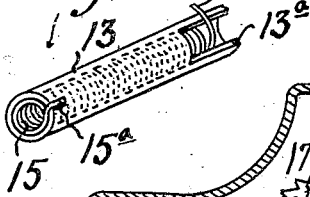


Fig. 3.

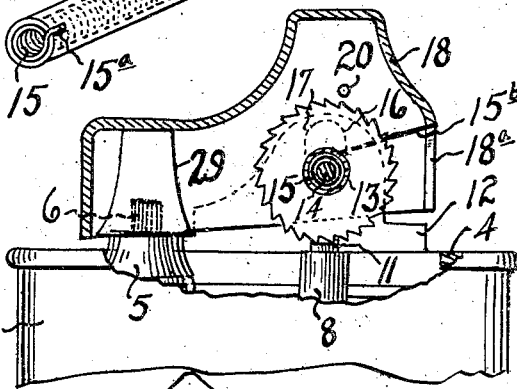
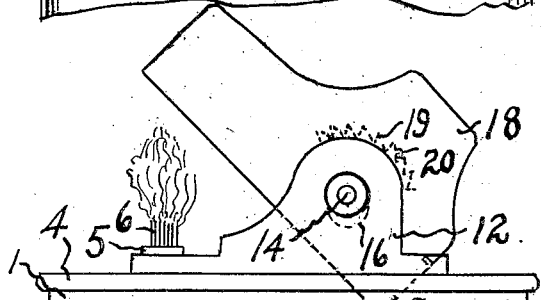
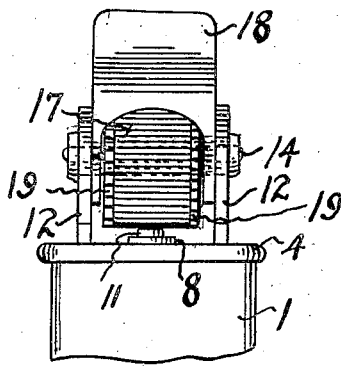


Fig. 4.



Inventors
EDWARD F. CLARK and
JAMES P. ROGERS
By their Attorneys
Darby & Darby