

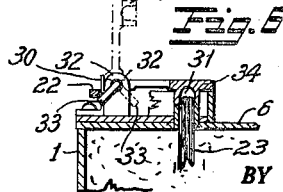
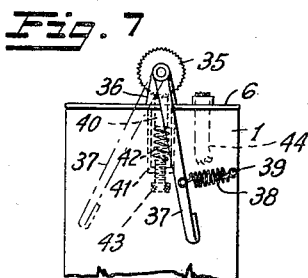
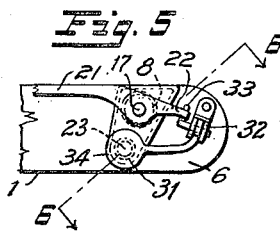
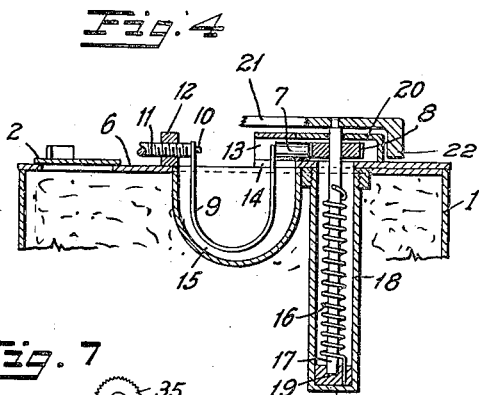
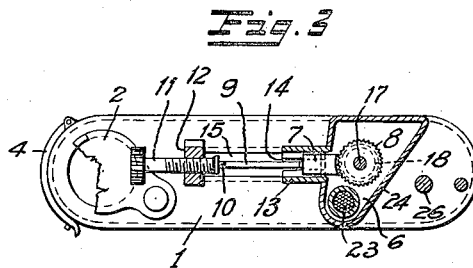
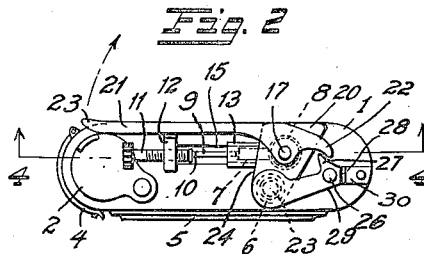
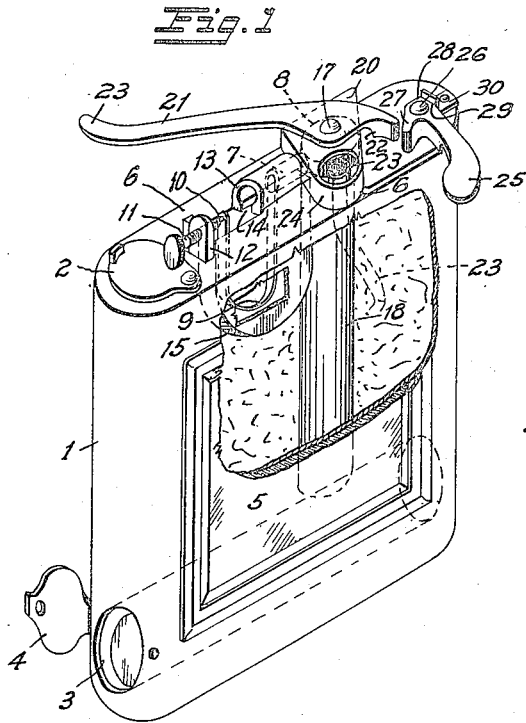
June 19, 1928.

1,674,314

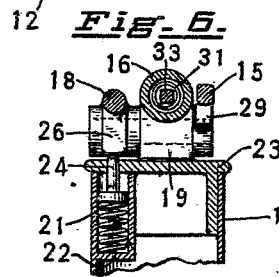
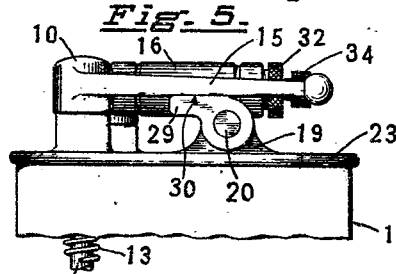
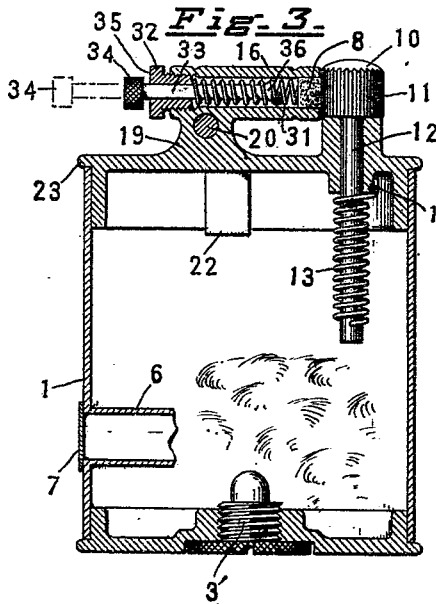
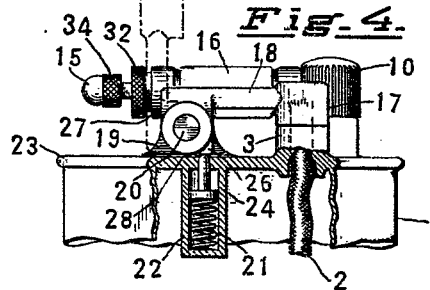
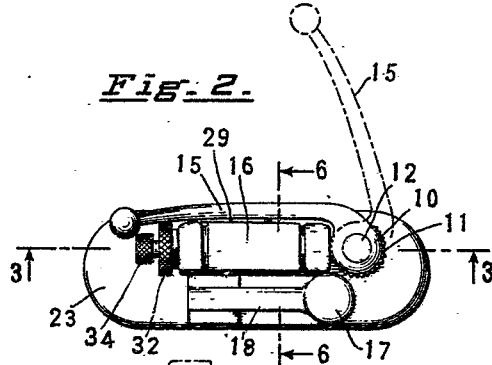
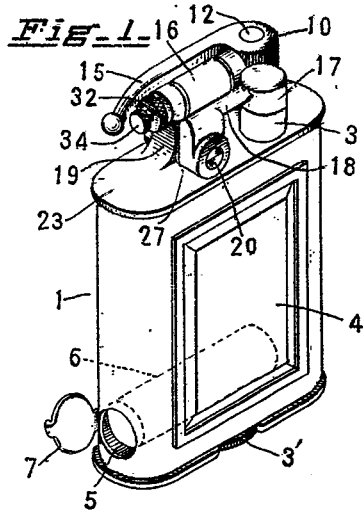
G. BETTINI

PORTABLE SPARKING LIGHTER

Filed May 29, 1926



INVENTOR.  
Gianni Bettini  
BY  
Duell, Dunn & Anderson  
ATTORNEYS.



[This Drawing is a reproduction of the Original on a reduced scale.]

